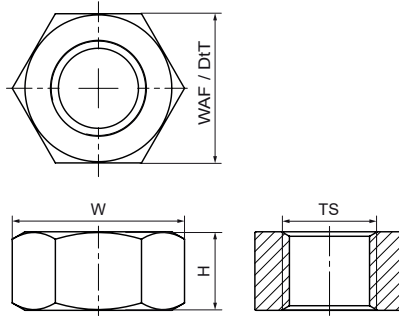
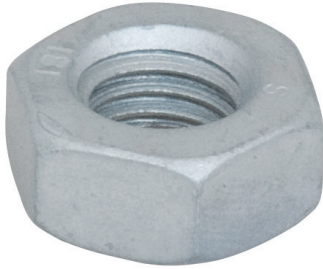


## Walraven Hexagon Nut (BUP1000)

(K4534)

for threaded connections



### Features & benefits

- material: steel, strength class 8
- product is part of the Walraven UltraProtect® 1000 system
- suitable for in- and outdoor applications
- stands min. 1,000 hours salt spray test (max. 5% red rust) according to ISO 9227
- M10 and M12 tested for fire safety according to EN 1363-1



Product Number	Norm / Standard	Thread Size	Width Across Flats	Total Depth	Total Height	Total Width	Colour
<i>Reference Letter</i>		<i>TS</i>	<i>WAF</i>	<i>DtT</i>	<i>H</i>	<i>W</i>	
<i>Unit description</i>			<i>mm</i>	<i>mm</i>	<i>mm</i>	<i>mm</i>	
61281008	DIN 934	M8	13	13	7	15	Zinc
61281010	DIN 934	M10	17	17	8	20	Zinc
61281012	DIN 934	M12	19	19	10	22	Zinc
61281016	DIN 934	M16	24	24	13	28	Zinc