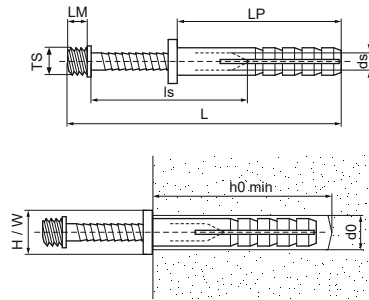


## Walraven Hammer-in Shoulder Stud

(L1505)

fixing to wall or ceiling



### Features & benefits

- hammer-in instead of screw-in
- impact head to prevent head damage
- plug with shoulder
- material: hammer-in stud made of steel; plug made of grey PA (polyamide)
- zinc plated, passivated

| Product Number          | Plug Length | Drill Hole Diameter Plugs | Min. Drill Hole Depth | Screw Size | Screw Length | Thread Size | Length Metrical Thread | Total Height | Total Width | Total Length |
|-------------------------|-------------|---------------------------|-----------------------|------------|--------------|-------------|------------------------|--------------|-------------|--------------|
| <i>Reference Letter</i> | <i>LP</i>   | <i>d0</i>                 | <i>h0 min</i>         | <i>ds</i>  | <i>ls</i>    | <i>TS</i>   | <i>Lm</i>              | <i>H</i>     | <i>W</i>    | <i>L</i>     |
| <i>Unit description</i> | <i>mm</i>   | <i>mm</i>                 | <i>mm</i>             |            | <i>mm</i>    |             | <i>mm</i>              | <i>mm</i>    | <i>mm</i>   | <i>mm</i>    |
| 6373640                 | 40          | 6                         | 50                    | 4          | 50           | M6          | 8                      | 8            | 8           | 73           |
| 6373740                 | 40          | 6                         | 50                    | 4          | 50           | M7x1.0      | 6                      | 8            | 8           | 71           |
| 6373750                 | 40          | 8                         | 50                    | 4.5        | 50           | M7x1.0      | 6                      | 10           | 10          | 71           |
| 6373850                 | 45          | 8                         | 55                    | 4.5        | 55           | M8          | 6                      | 10           | 10          | 76           |