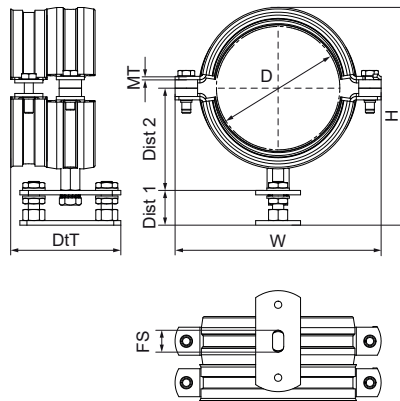


## Walraven BISMAT® 1000 Stand Pipe Clamp

(A3010)

for stand pipes



### Features & benefits

- adjustable wall plate with Walraven BISMAT® SL Guidance clamp and Walraven BISMAT® SX Socket clamp
- unique set for the installation of cast iron or plastic stand pipes
- to be mounted every second floor, height 3.0 m (from Ø 125 mm, one each floor)
- fixing free of tension throughout infinite adjustment
- adjustable distance between pipe and wall
- material: steel
- zinc plated
- noise insulation tested according to DIN 4109 (insulation exceeds standards)



Product Number	Outside Pipe Diameter	DN	Total Height	Total Width	Total Depth	Distance 1	Distance 2	Fixing Slot	Material Thickness	Maximum Allowed Load Faz
Reference Letter	D	D	H	W	DtT	Dist 1	Dist 2	FS	MT	Fa,z
Unit description	mm		mm	mm	mm	mm	mm	mm	mm	N
3363070	75	DN 70	160	149	98	31.5	73.6	19,5x10	3.00	650
3363075	78	DN 70	165	154	98	31.5	76	19,5x10	3.00	650
3363080	83	DN 80	170	159	98	31.5	78.5	19,5x10	3.00	820
3363090	89	DN 80	174	163	98	31.5	80.55	19,5x10	3.00	820
3363100	110	DN 100	195	184	98	31.5	91.1	19,5x10	3.00	820
3363125	125	DN 125	210	199	98	31.5	98.5	19,5x10	3.00	820
3363150	160	DN 150	245	234	98	31.5	116	19,5x10	3.00	820
3363200	210	DN 200	284	295	98	31.5	141	19,5x10	3.00	820