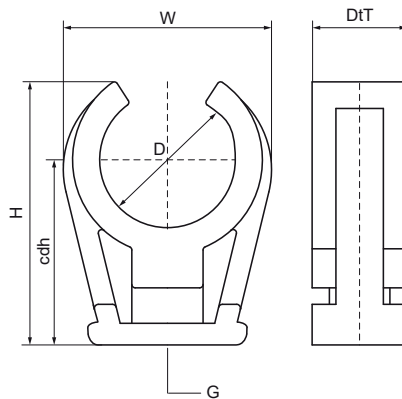


Walraven Push-fit Saddle - Single (White)

(C1025)

for securing conduits and pipes to walls, floors, or ceilings



Features & benefits

- one-part saddle
- connection thread M6 made of brass
- material: PP (polypropylene), white (according to RAL 9016)
- fire class B2
- no corrosion, recyclable, halogen free, resistant to UV and ageing
- temperature resistance from approx. -30 °C to approx. +90 °C (constant); short to approx. +110 °C

Product Number	Outside Pipe Diameter	Total Height	Total Width	Total Depth	Clamp Center Distance Height	Connection Thread
Reference Letter	D	H	W	DtT	cdh	G
Unit description	mm	mm	mm	mm	mm	
0853008	8	18	14	17	13	M6
0853010	10	21	17	17	16	M6
0853012	12	21	20	17	17	M6
0853015	14 - 15	25	24	17	18	M6
0853018	16 - 18	31	27	17	23	M6
0853022	20 - 22	36	31	17	26	M6
0853028	28	46	39	17	32	M6
0853035	35	51	46	17	33	M6
0853042	42	53	54	17	39	M6
0853025	25	38	35	17	27	M6
0853032	32	46	43	17	31	M6