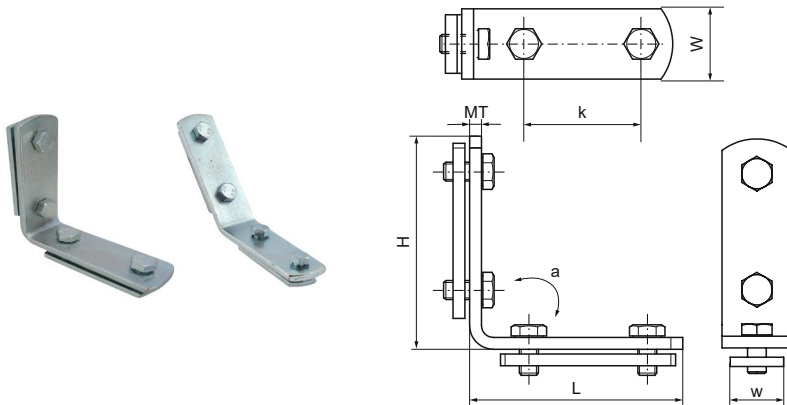


Walraven Rail Connector with Slide Nuts

(G3515)

to make Walraven RapidRail® fabrications



Features & benefits

- to make rail fabrications
- suitable for rails 27x18, 30x15, 30x20, 30x30, 30x45 and 38x40
- with pre-assembled double slide nut
- material: steel
- zinc plated



Product Number	For Rail Type	Angle	Total Height	Total Width	Total Length	Material Thickness	Width	Fixing Hole	Heart To Heart Distance	Torque Moment For Installation
<i>Reference Letter</i>		<i>a</i>	<i>H</i>	<i>W</i>	<i>L</i>	<i>MT</i>	<i>w</i>	<i>FH</i>	<i>k</i>	<i>T_{inst.}</i>
<i>Unit description</i>		°	mm	mm	mm	mm	mm	mm	mm	Nm
6583109	27x18, 30x15, 30x20, 30x30, 30x45, 38x40	90	101	30	101	5.00	23	8.5	50	15
6583113	27x18, 30x15, 30x20, 30x30, 30x45, 38x40	135	78.9	30	159	5.00	23	8.5	50	15