

# Concord

Lytespan 1 single circuit - 1m - standard track unit - black  
2036018



## Features

- Lytespan 1 - Single Circuit Track, extruded aluminium body, suitable for surface mounting and suspending, (LxWxH) 1000x30x20mm, 0.50kg, Black RAL 9005, Class 1, maximum installed load: 1x3840W (1x3680W), fuse: 1x16A, supply cable: 3 x 1.5mm<sup>2</sup>, 240 (230) VAC supply



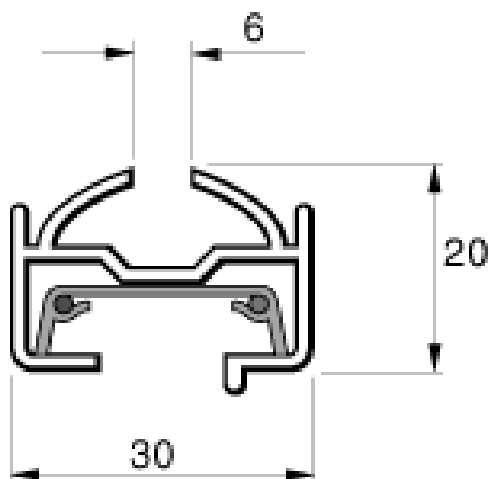
## Product Overview

Product name	Lytespan 1 single circuit - 1m - standard track unit - black
Technology	Accessory
Mount	Ceiling surface mounting
Environment	Interior
Housing colour	Black
Product EAN number	5025768360185
Warranty	5 years

# Concord

Lytespan 1 single circuit - 1m - standard track unit - black  
**2036018**

## Technical drawings



## Data table

### GENERAL DATA

Product name	Lytespan 1 single circuit - 1m - standard track unit - black
Technology	Accessory
Mount	Ceiling surface mounting
Environment	Interior
Warranty	5 years

### OPTICAL DATA

Adjustable chromaticity	N
-------------------------	---

### ELECTRICAL DATA

Primary Supply/Product voltage - min (V)	230
Control gear required	No

### PHYSICAL DATA

# Concord

Lytespan 1 single circuit - 1m - standard track unit - black  
**2036018**

---

<b>Housing colour</b>	Black
-----------------------	-------

<b>Nominal Product Length (mm)</b>	1000
------------------------------------	------

<b>Weight (kg)</b>	0.5
--------------------	-----

## PACKAGING

---

<b>Single packaging type</b>	Carton
------------------------------	--------

<b>Product EAN number</b>	5025768360185
---------------------------	---------------

<b>Packaging single width (cm)</b>	4.0
------------------------------------	-----

<b>Packaging single depth (cm)</b>	4.0
------------------------------------	-----

<b>Packaging outer length / height (cm)</b>	105.0
---	-------

## SAFETY DATA

---

<b>Special purpose lamp</b>	No
-----------------------------	----

<b>Dry applications use only</b>	No
----------------------------------	----

<b>Suitable for household illumination</b>	No
--	----