



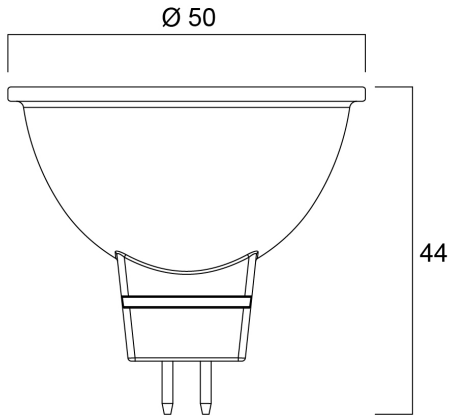
Features

- Compact, energy efficient and exceptional value for money product Same shape and size as halogen MR16 lamp Compact Cluster SMD technology enabling high efficiency with halogen look Reduced visible heat sink from the front Available in 36 degree High lumen efficacy 12V AC/DC 25,000 hours average rated life 3 years warranty

Product Overview

Product name	RefLED Superia Retro MR16 V2 425LM 840 36° SL
Technology	LED
Watt (Rated) (W)	4.6
Fixture rating	Open
E-number FI	4741111
Colour temperature (K)	4000
CRI (Ra)	80
Colour Consistency (SDCM)	6
Colour Variation Initial (SDCM)	6
Photobiological Risk Group	RG1
Wattage (W)	4.6
Product EAN number	5410288292311
Warranty	3 years

Technical drawings



Data table

GENERAL DATA

Product name	RefLED Superia Retro MR16 V2 425LM 840 36° SL
Technology	LED
Watt (Rated) (W)	4.6
Fixture rating	Open
Operating temperature range (°C)	-20°C...+40°C
Performance ambient temperature Tq (°C)	25
E-number FI	4741111
Warranty	3 years

OPTICAL DATA

Colour temperature (K)	4000
CRI (Ra)	80
Colour Consistency (SDCM)	6
Colour Variation Initial (SDCM)	6
Luminous Intensity (cd)	900

RefLED Superia Retro MR16 V2 425LM 840 36° SL 0029231

Photobiological Risk Group	RG1
Lumen maintenance at end of nominal life (%)	70

ELECTRICAL DATA

Wattage (W)	4.6
Equivalent watt (W)	40
Primary Supply/Product voltage - min (V)	12
Control gear required	No
Lamp Energy Label (class)	E

LIFETIME DATA

Lifespan L70 B50	25000
Average life (Rated) (h)	25000

PHYSICAL DATA

Nominal Product Length (mm)	44
Nominal Product Diameter (mm)	50
Weight (kg)	0.03

PACKAGING

Single packaging type	Carton
Product EAN number	5410288292311
Packaging single width (cm)	5.1
Packaging single depth (cm)	8.2
DUN14 (inner)	25410288292315
Units per inner package	6
Packaging inner length / height (cm)	19.4
Packaging inner width (cm)	11.4
Packaging inner depth (cm)	9.4
DUN14 (outer)	15410288292318
Packaging outer length / height (cm)	36.2

SYLVANIA

RefLED Superia Retro MR16 V2 425LM 840 36° SL
0029231

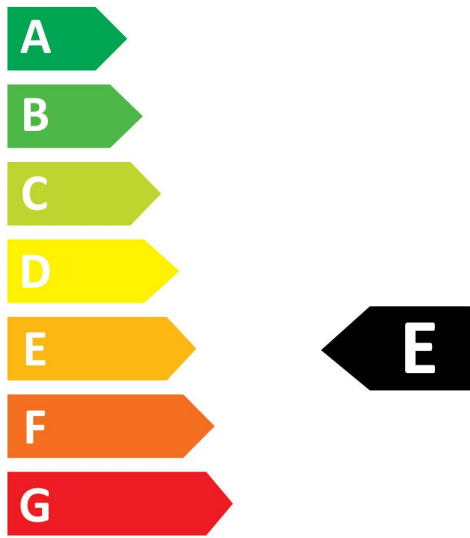
SAFETY DATA

Optimal operating condition (°C)	-20-40
Breakage cleaning instructions	Not applicable
Special purpose lamp	No
Dry applications use only	No
Suitable for household illumination	No
Safety message	Not Suitable for totally enclosed fixtures

Energy label



0029231



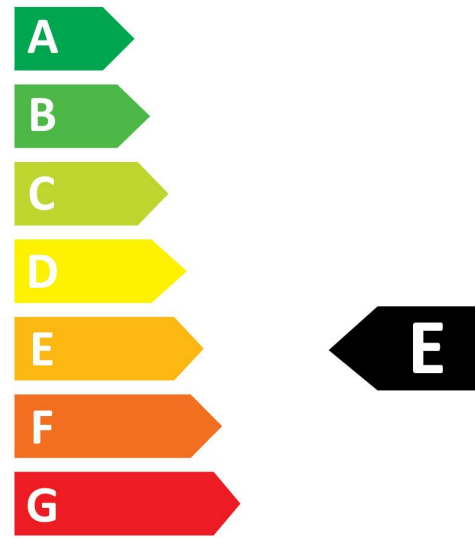
5 kWh/1000h



2019/2015



0029231



5 kWh/1000h



2019/2015

Light your world