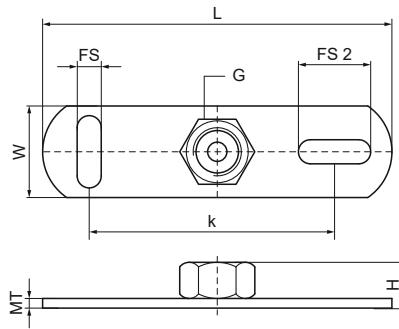


Walraven Wall Plate 670

(K1505)

fixing to ceiling or floor



Features & benefits

- fixings to ceiling or floor (only tension loads recommended)
- slots at 90° to each other to simplify fixing
- with resistance welded connection nut
- material: steel
- zinc plated

Product Number	Connection Thread	Total Length	Total Width	Total Height	Material Thickness	Fixing Slot	Fixing Slot 2	Heart To Heart Distance	Maximum Allowed Load Faz
<i>Reference Letter</i>	<i>G</i>	<i>L</i>	<i>W</i>	<i>H</i>	<i>MT</i>	<i>FS</i>	<i>FS 2</i>	<i>k</i>	<i>F_{a,z}</i>
<i>Unit description</i>		<i>mm</i>	<i>mm</i>	<i>mm</i>	<i>mm</i>	<i>mm</i>	<i>mm</i>	<i>mm</i>	<i>N</i>
6703006	M6	80	25	12	3.00	15x8,5	15x8,5	50	2,500
6703008	M8	80	25	12	3.00	15x8,5	15x8,5	50	2,500
6703009	M8/M10	80	25	22	3.00	15x8,5	15x8,5	50	2,500
6703010	M10	80	25	14	3.00	15x8,5	15x8,5	50	2,500
6703016	M16	80	25	17	3.00	15x8,5	15x8,5	50	2,500
6703021	G½"	80	27	19	3.00	15x8,5	15x8,5	50	2,500