

Concord

Lytespan 1 single circuit - 1m - standard track unit - white
2036015



Features

- Lytespan 1 - Single Circuit Track, extruded aluminium body, suitable for surface mounting and suspending, (LxWxH) 1000x30x20mm, 0.50kg, White RAL 9016, Class 1, maximum installed load: 1x3840W (1x3680W), fuse: 1x16A, supply cable: 3 x 1.5mm², 240 (230) VAC supply



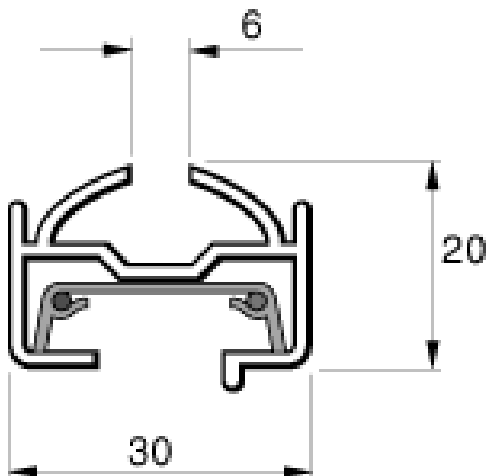
Product Overview

| | |
|--------------------|--|
| Product name | Lytespan 1 single circuit - 1m - standard track unit - white |
| Technology | Accessory |
| Mount | Ceiling surface mounting |
| Environment | Interior |
| Housing colour | White |
| Product EAN number | 5025768360154 |
| Warranty | 5 years |

Concord

Lytespan 1 single circuit - 1m - standard track unit - white
2036015

Technical drawings



Data table

GENERAL DATA

| | |
|--------------|--|
| Product name | Lytespan 1 single circuit - 1m - standard track unit - white |
| Technology | Accessory |
| Mount | Ceiling surface mounting |
| Environment | Interior |
| Warranty | 5 years |

OPTICAL DATA

| | |
|-------------------------|---|
| Adjustable chromaticity | N |
|-------------------------|---|

ELECTRICAL DATA

| | |
|--|-----|
| Primary Supply/Product voltage - min (V) | 230 |
| Control gear required | No |

PHYSICAL DATA

Concord

Lytespan 1 single circuit - 1m - standard track unit - white 2036015

| | |
|-----------------------------|-------|
| Housing colour | White |
| Nominal Product Length (mm) | 1000 |
| Weight (kg) | 0.5 |

PACKAGING

| | |
|--------------------------------------|---------------|
| Single packaging type | Carton |
| Product EAN number | 5025768360154 |
| Packaging single width (cm) | 4.0 |
| Packaging single depth (cm) | 4.0 |
| Packaging outer length / height (cm) | 105.0 |

SAFETY DATA

| | |
|-------------------------------------|----|
| Special purpose lamp | No |
| Dry applications use only | No |
| Suitable for household illumination | No |