

Panel mounted receptacle

Part number: 737



MENNEKES
Elektrotechnik GmbH & Co. KG

Aloys-Mennekes-Straße 1
57399 Kirchhundem
GERMANY

www.MENNEKES.org

Product Description

- screw connection technology
- nickel plated contacts, highly heat resistant contact carrier
- 20° inclination

Technical Details

Panel mounted receptacle	737
Ampere	16A
Number of poles	7p
Clock position	9h
Nominal voltage AC	230V
Nominal frequency	50 - 60 Hz
Protection type IP	IP44
Contact carrier	nickel plated contacts, highly heat resistant contact carrier
X-CONTACT	no
Connection	screw terminals
Contact screw drive	PZ2, slot
Pilot contact	without pilot contact
Pilot contact switch	no
Flange dimensions	100 x 92 mm
Hole spacings	85 x 77 mm
Insertion direction	angled
Inclination	20°
Highly resistant to chemicals	no
Military version	no
Tightening torque connection terminal for cable cross-section 1,0 - 1,5 mm ²	0.6 Nm
Tightening torque connection terminal for cable cross-section 2,5 - 4,0 mm ²	0.8 Nm
Tightening torque connection terminal for cable cross-section 6 - 10 mm ²	1.2 Nm
Strip length PH + N flexible conductor	8 - 10 mm
Strip length PE flexible conductor	12 - 17 mm

Panel mounted receptacle		737
Strip length PH + N solid conductor	8 - 10 mm	
Strip length PE solid conductor	12 - 17 mm	
Conductor cross-section min.	1.5 mm ²	
Conductor cross-section max.	4 mm ²	
Weight (net)	216 g	
Packaging unit	10 pcs	
Quantity per pallet	880 pcs	
EAN / identification number	4015394005612	

Permissible ambient conditions		
	Min.	Max.
Permissible ambient temperature	-25 °C	40 °C
Average temperature over 24 hours		35 °C

Material properties	
Housing	PA6 light grey [similar RAL 7035]
Hinged lid	PC blue [similar RAL 5007]

Material resistance

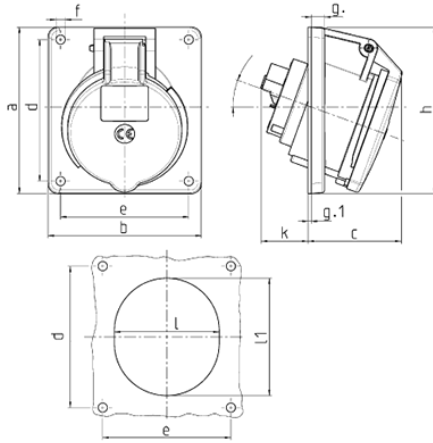
The material resistance overview can be found on the website in the section “Knowledge” - “Product knowledge” - “Materials”.

Material and environmental properties	
RoHS 2011/65/EU incl. 2015/863/EU	✓
POP regulation (EU) 2019/1021	✓
Halogen-free	no

Regulations and Standards

Norm	DIN EN IEC 60309-2
Declaration of Conformity	CE
Test label	EAC, CQC

Dimensional Drawing



Drawing 1 MB 260	Amp. Poles	16		32	
		7		7	
Dim. in mm	a	100	100	100	100
	b	92	92	92	92
	c	58	61	61	61
	d	85	85	85	85
	e	77	77	77	77
	f	5.5	5.5	5.5	5.5
	g.	8	8	8	8
	g.1	2	2	2	2
	h	100	106	106	106
	k	40	55	55	55
	l	65	72	72	72
	l1	72	85	85	85
	α	20°	20°	20°	20°
Terminal for cond. cross section (mm ²) min.-max.		1.5	2.5	2.5	2.5
		—4	—4	—4	—10