

ToLEDo RT GLS V5 CL 1055LM 827 E27 SL

Item No: 0029331

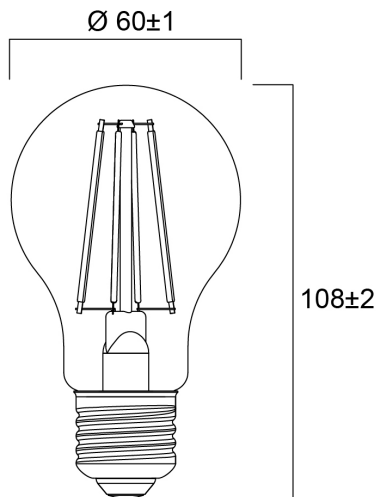
SYLVANIA



Perfect for decorative and general lighting applications and creates a warm ambiance similar to traditional lamps
Same look, size and functionality as incandescent lamps Omni-directional light distribution Suitable replacement for incandescent and halogen lamps Gives same sparkling light effect as incandescent lamp Dimensionally identical to incandescent lamps - fits all fixtures Environment friendly - no mercury and lower CO2 emissions

Technical Assets

Dimensions (mm)



Photometrics

ToLEDo RT GLS V5 CL 1055LM 827 E27 SL

Item No: 0029331

SYLVANIA

General data

Product name	ToLEDo RT GLS V5 CL 1055LM 827 E27 SL
Technology	LED
Watt (Rated) (W)	8
Cap/Base	E27
Fixture rating	Open
General application	Hospitality, Residential & Consumer
Operating temperature range (°C)	-20°C...+40°C
Performance ambient temperature Tq (°C)	25
ETIM Class	EC001959
E-number FI	4740912
Warranty	3 years

Optical data

Useful luminous flux (Φ_{use})	1055
Luminous flux (lm)	1055
Luminous flux (Rated) (lm)	1055
Correlated colour temperature (k)	2700
Light colour	Homelight
CRI (Ra)	80
Colour Variation Initial (SDCM)	SDCM6
Photobiological Risk Group	RG1
Lumen maintenance at end of nominal life (%)	70

Electrical data

Power consumption (W)	8
Wattage (W)	8
Equivalent watt (W)	75
Primary Supply/Product voltage - min (V)	220
Primary Supply/Product voltage - max (V)	240
Control gear required	Yes
No. Of switching cycles before premature failures	>50000
Dimmable	No
Inrush Current (A)	4.36
Inrush Duration (μ s)	150
Lamp Energy Label (class)	E
Nominal Frequency (Hz)	50/60Hz
Max. products per 16A C Breaker	37
Max. products per 16A B Breaker	18

Lifetime data

Lifespan L70 B50	15000
Average life (Nominal) (h)	15000
Average life (Rated) (h)	15000

Physical data

Nominal Product Length (mm)	108
Nominal Product Diameter (mm)	60
Weight (kg)	0.03

ToLEDo RT GLS V5 CL 1055LM 827 E27 SL

Item No: 0029331



Packaging

Product EAN number	5410288293318
Packaging single length / height (cm)	6.6
Packaging single width (cm)	6.6
Packaging single depth (cm)	12.0
DUN14 (inner)	15410288293315
Units per outer package	6
Packaging outer length / height (cm)	20.6
Packaging outer width (cm)	14.0
Packaging outer depth (cm)	13.0

Safety data

Optimal operating condition (°C)	-20-40
Breakage cleaning instructions	Not applicable
Special purpose lamp	No
Dry applications use only	Yes
Suitable for household illumination	Yes
Safety message	Not Suitable for totally enclosed fixtures