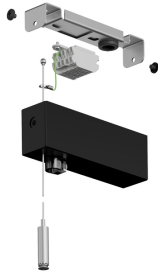


Features

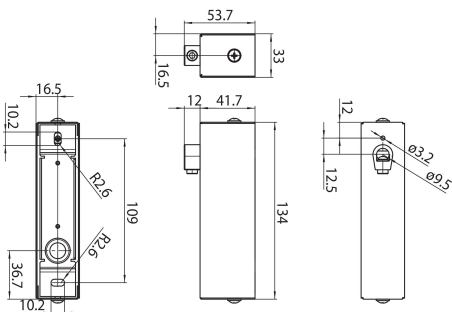
- OneTrack accessory, complete supply box including white black cup (134x16mm), terminal block, 2675/SP/43 with earth wire, and ceiling bracket for installation. Compatible with Lytespan.



Product Overview

Product name	ONETRACK SUPPLY SUSPENSION BOX BLACK SET-RS/BG
Technology	Accessory
General application	Museums & Galleries, Office
ETIM Class	EC002556
Housing colour	Black
Product EAN number	4012289008215
Warranty	5 years

Technical drawings



Data table

ONETRACK SUPPLY SUSPENSION BOX BLACK SET-RS/BG 9200821

GENERAL DATA

Product name	ONETRACK SUPPLY SUSPENSION BOX BLACK SET-RS/BG
Technology	Accessory
Accessory type	Electrical, Mounting
Type of accessory	Installation set
General application	Museums & Galleries, Office
ETIM Class	EC002556
Warranty	5 years

ELECTRICAL DATA

Control gear required	No
Connectable conductor cross section - Max (mm ²)	2.5

PHYSICAL DATA

Housing colour	Black
Nominal Product Length (mm)	134
Nominal Product Width (mm)	33
Nominal Product Height (mm)	53.7
Weight (kg)	0.06

PACKAGING

Product EAN number	4012289008215
Packaging single length / height (cm)	16.0
Packaging single width (cm)	10.0
Packaging single depth (cm)	10.0
Units per outer package	1
Packaging outer length / height (cm)	16.0
Packaging outer width (cm)	10.0
Packaging outer depth (cm)	10.0

SAFETY DATA

Special purpose lamp	No
Dry applications use only	No
Suitable for household illumination	No