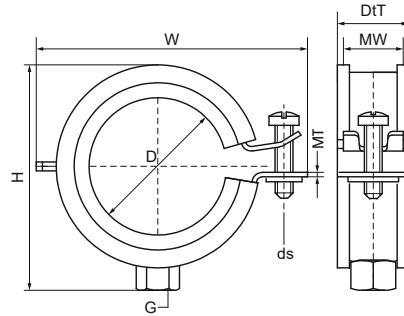


Walraven BISMAT® Flash (M8)

(A0504)

for steel, copper, cast iron and plastic (multilayer) pipe



Features & benefits

- single screw clamp
- with Walraven BISMAT® Flash quick locking system
- clamp easy to close with one hand
- the locking screw can be secured without use of tools
- material: steel
- zinc plated
- sound insulating lining according DIN 4109
- optimised noise insulation due to soft closing without tools
- noise reduction according to ISO 3822-1 up to 23 dB(A)
- tested for fire safety



Product Number	Outside Pipe Diameter	DN	Pipe Diameter Imperial	Connection Thread	Material Width	Material Thickness	Screw Size	Total Height	Total Width	Total Depth	Approvals	Maximum Allowed Load Faz
Reference Letter	D	D	D	G	MW	MT	ds	H	W	DtT		F _{a,z}
Unit description	mm		"		mm	mm		mm	mm	mm		N
3373018	15 - 18	DN 10	3/8	M8	20	1.00	M6	46	47	25	ETA, RAL-GZ 655/B, CE, RAL-GZ 656, ITB (KOT), ISO 3822-1, EPD	500
3373023	20 - 23	DN 15	1/2	M8	20	1.00	M6	43	52	25	ETA, RAL-GZ 655/B, RAL-GZ 656, CE, ITB (KOT), ISO 3822-1, EPD	500
3373028	25 - 28	DN 20	3/4	M8	20	1.00	M6	48	57	25	ETA, RAL-GZ 655/B, RAL-GZ 656, CE, ITB (KOT), ISO 3822-1, EPD	500
3373035	32 - 35	DN 25	1	M8	20	1.00	M6	55	64	25	ETA, RAL-GZ 655/B, RAL-GZ 656, CE, ITB (KOT), ISO 3822-1, EPD	500
3373043	40 - 43	DN 32	1 1/4	M8	20	1.25	M6	63	72	25	ETA, RAL-GZ 655/B, RAL-GZ 656, CE, ITB (KOT), ISO 3822-1, EPD	700
3373051	48 - 51	DN 40	1 1/2	M8	20	1.25	M6	71	80	25	ETA, RAL-GZ 655/B, RAL-GZ 656, CE, ITB (KOT), ISO 3822-1, EPD	700
3373056	53 - 56	-	-	M8	20	1.25	M6	76	85	25	ETA, RAL-GZ 655/B, RAL-GZ 656, CE, ITB (KOT), ISO 3822-1, EPD	700
3373063	57 - 63	DN 50	2	M8	20	1.25	M6	82	91	25	ETA, RAL-GZ 655/B, RAL-GZ 656, CE, ITB (KOT), ISO 3822-1, EPD	700