



20 713 710 Product version from 8/31/2015 to 7/22/2021



- 155mm projection
- fixed spout
- circular, air-enriched flow
- height of mixer 114 mm
- height up to aerator 90 mm
- hole diameter valve 32 mm
- hole diameter spout 35 mm
- rosette 47 x 55 mm
- 2x screw-in M 8 x 1 pressure hose, leak-tested
- max. flow 7 l/min
- lead-free
- WRAS
- This product can help a building meet the requirements of Green Building Rating Systems, e.g. LEED®, BREEAM®, DGNB

Only suitable for basins with an overflow.

	Chrome	20 713 710-00
	Brushed Platinum	20 713 710-06

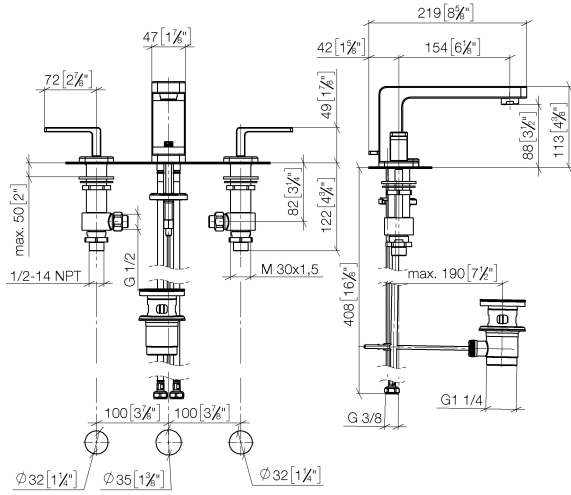
### Recommended miscellaneous



**High pressure hoses -** 12 506 970 90  
 • 2x 3/8" x 1/2" x 500mm high pressure hose

20 713 710 Product version from 8/31/2015 to 7/22/2021

mm [inches]



**Flow rate chart**



**Codes & Standards**

DIN 4109

ISO 3822

Scottish Water  
Byelaws

UK Water Supply  
Regulations

**Ü-Zeichen**



## LULU Three-hole basin mixer with pop-up waste - Chrome

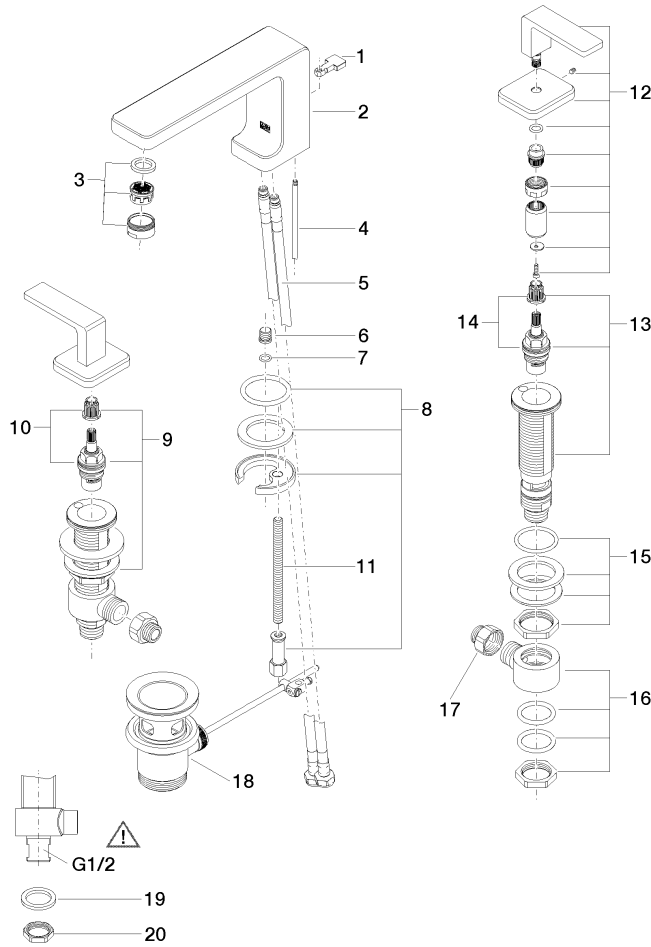
LULU

20 713 710 Product version from 8/31/2015 to 7/22/2021

### Certificates and sustainability

LGA_19	WRAS_250402	EPD-DOR-20230287 -IBA1-EN Environmental.prod uct-declarat
--------	-------------	--

20 713 710 Product version from 8/31/2015 to 7/22/2021



Spare parts list

No.	Item Number	Name	Quantity used	Delivery time
18	90 11 01 001 00-00	Basin Waste - Chrome	1.00	20
8	04 30 11 038 75 90	Mounting with O-ring Ø36 x 4mm Ø 52 x 1,5 mm -	1.00	14
19	09 30 11 059 90	Disc -	2.00	14
13	04 17 11 058 52 90	Side piece 1/2" -	1.00	14
3	90 23 01 118 01-00	Aerator M24x1-AG 7,0 l/min. - Chrome	1.00	20
10	90 90 03 153 00 90	Head part clockwise closing extended, 7mm 1/2" -	1.00	14
12	90 20 71 046 01-00	Handle 3-hole mixer 135 x 130 x 80 mm - Chrome	2.00	20
2	09 11 71 095 10-00	Spout 155mm projection 47 x 113 x 205 mm - Chrome	1.00	20
4	09 31 09 080-00	Pull rod for pop-up waste Ø 4 x 400 mm - Chrome	1.00	20
7	90 14 10 060 00 90	O-Ring 8,0 x 1,5 mm -	1.00	14
11	09 31 11 012 90	Mounting Threaded bolt M8 x110 mm -	1.00	14
6	09 31 20 065 90	Plug Ø 11 x 11 mm -	1.00	14
15	04 23 10 032 78 90	Mounting with seals M30 x 1,5 -	2.00	14
1	09 20 71 033-00	Pull button for pop-up waste - Chrome	1.00	20
5	04 30 04 100 00 90	High pressure hose M8x1 x 3/8" x 420 mm -	2.00	14
14	90 90 03 152 00 90	Head part anti-clockwise closing extended, 7mm 1/2" -	1.00	14
16	04 17 11 023 10 90	Connection Distributor, complete 1/2" -	2.00	14
17	09 24 03 185-00	Nipple Reducing nipple 1/2" x 3/8" - Chrome	2.00	20
9	04 17 11 058 53 90	Side piece clockwise closing 1/2" -	1.00	14
20	09 23 10 012 90	Mounting Nut SW 24 1/2" -	2.00	14