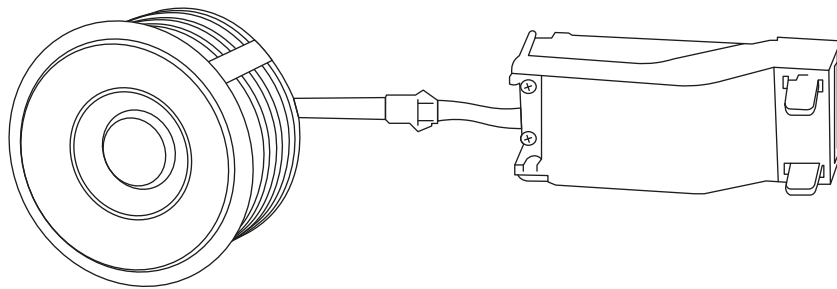




Read these instructions & save for future use

led spot | 50mm | white | 5 watt | 38° | 2700K | dim



Article number **175-550**

Brand **Tronix Lighting**

Type **Led luminaires**

Contents of this product **1x led spot 5Watt 2700K**

Technical datasheet **Digitally available
on our webshop**



*View instructions and
technical data also on
our website*

TRONIX



Before first use

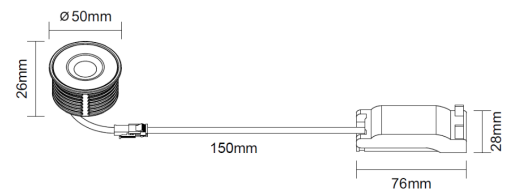
Before getting started with this product, it is advisable to check the order completeness and any damage. If this is the case, please contact Tronix Lighting.

Description

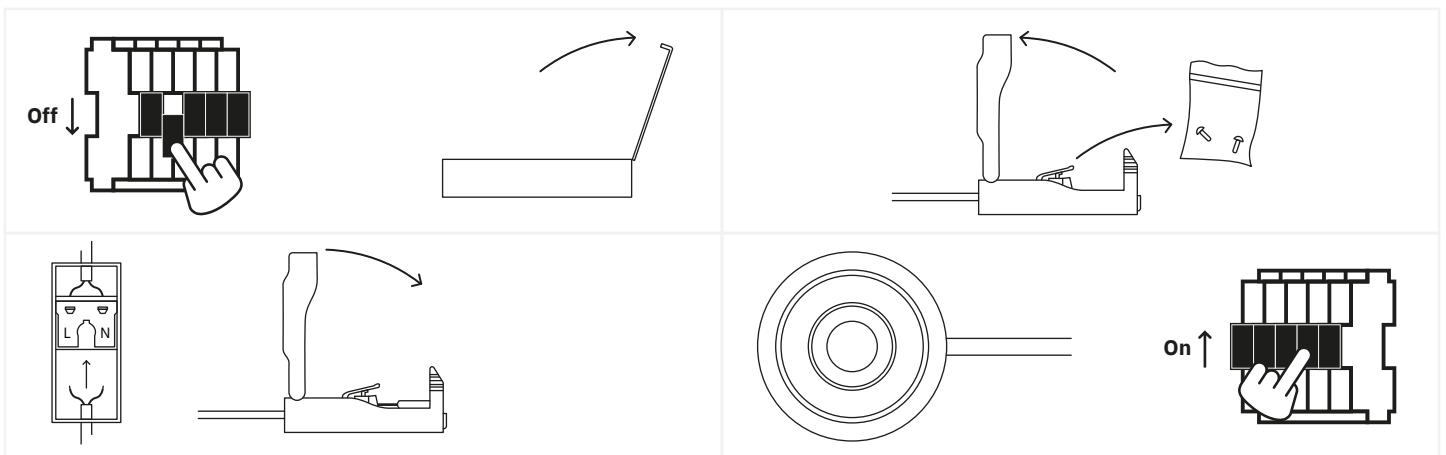
This compact spotlight is the replacement for GU10 spotlights. This spotlight features stable, flicker-free light combined with a smooth dimming range. This is made possible by the internal driver, allowing you to make optimal savings on ceiling space.

Features

- 50mm spotlight replaces standard GU10 light source;
- Stable and flicker-free light;
- Only 26mm high;
- Perfectly dimmable with universal Triac dimmer 215-131.



Installation



1. Turn off the power and remove the product and associated parts from the packaging;
2. Open the terminal block by pressing the wings on top of the block. Then pull open the cover and remove the screws;
3. Attach the wiring inside the terminal block and seal it. Then use the screws to mount the block and spotlight in the chosen location;
4. Check the installation of the spotlight. Activate the power when it is okay to complete the installation.



Safety

Safety is a top priority at Tronix Lighting. Therefore, we heartily recommend that you follow the following steps closely:

- Keep this manual carefully for future reference;
- Choose a qualified electrician while installing, maintaining or inspecting this product;
- Never look directly into a light source to avoid possible eye damage;
- Ensure that the respective power group is always on non-active when the product is connected;
- Use only recommended combinations (LED drivers, controllers or dimmers) to avoid injury or damage to the product;
- The light source of this spotlight is not replaceable. Because of this, you must replace the entire fixture towards the end of its lifespan and it is not recommended to open it;
- Place this spotlight indoors only at a standard room temperature (~25°C).

Technical problems and repair

Should a product not work properly after installation, or if the product exhibits problems over time, it is advisable to check the following elements:

- Check the wiring and installation of your product;
- Check for the presence of interfering elements such as dust, water or other electronics;
- If possible, try disconnecting the product and testing it in another location to rule out a problem at the location;
- Should you be dealing with a WIFI-based product, check and reset your router's settings.

Should the product still not work after testing, it is recommended to send it in for inspection and/or repair. To do so, please contact Tronix Lighting using nearby details and proof of purchase (packing slip).



CARE



SHARE



CONNECT

Supplier:

Tronix Lighting B.V

Vluchtoord 41
5406 XP Uden, Netherlands

+31 (0)413 330 380
sales@tronixlighting.com

Terms and symbols (as relevant to product)



The **CE mark** indicates that this product complies with EU regulations on safety, health and environmental protection;



The **WEEE symbol** stands for "Waste Electrical and Electronic Equipment Regulation," a directive on the collection, recycling and recovery of electronic waste;



The **Class II symbol** indicates that this product is double insulated;

- The product is rated **IP20**. This means that the product is resistant to the penetration of solid objects >12.5 mm and is not resistant to water or moisture.