

# Panel mounted receptacle

Part number: 3581



**MENNEKES**  
Elektrotechnik GmbH & Co. KG

Aloys-Mennekes-Straße 1  
57399 Kirchhundem  
GERMANY

[www.MENNEKES.org](http://www.MENNEKES.org)

## Product Description

- screwless, with insulation displacement technology TwinCONTACT
- 20° inclination
- suitable for through wiring
- receptacle is designed for adding an auxiliary contact switch

## Technical Details

| Panel mounted receptacle               | 3581   |
|--|--|
| Ampere                                 | 32A  |
| Number of poles                        | 4p   |
| Clock position                         | 6h   |
| Nominal voltage AC                     | 400V   |
| Nominal frequency                      | 50 - 60 Hz                                       |
| Protection type IP                     | IP67   |
| Contact carrier                        | standard   |
| X-CONTACT                              | no   |
| Connection                             | insulation displacement technology - TwinCONTACT |
| Pilot contact                          | without pilot contact                            |
| Pilot contact switch                   | no   |
| Flange dimensions                      | 85 x 85 mm                                       |
| Hole spacings                          | 70 x 70 mm                                       |
| Insertion direction                    | angled   |
| Inclination                            | 20°  |
| Highly resistant to chemicals          | no   |
| Military version                       | no   |
| Strip length jacket                    | 120 mm   |
| Strip length PH + N flexible conductor | 12 - 18 mm                                       |
| Strip length PE flexible conductor     | 12 - 18 mm                                       |
| Strip length PH + N solid conductor    | 18 mm  |
| Strip length PE solid conductor        | 18 mm  |
| Conductor cross-section min.           | 2.5 mm <sup>2</sup>                              |
| Conductor cross-section max.           | 6 mm <sup>2</sup>                                |
| Weight (net)                           | 264 g  |

|                             |               |
|-----------------------------|---------------|
| Panel mounted receptacle    | 3581          |
| Packaging unit              | 10 pcs        |
| Quantity per pallet         | 660 pcs       |
| EAN / identification number | 4015394221548 |

Permissible ambient conditions

|                                   | Min.   | Max.  |
|-----------------------------------|--------|-------|
| Permissible ambient temperature   | -25 °C | 40 °C |
| Average temperature over 24 hours |        | 35 °C |

Material properties

|            |   |
|------------|---|
| Housing    | PA6 light grey [similar RAL 7035]   |
| Hinged lid | PA6 red [similar RAL 3013]<br>TPE black [similar RAL 9005]<br>PBT/PC squirrel grey [similar RAL 7000] |

Material resistance

The material resistance overview can be found on the website in the section “Knowledge” - “Product knowledge” - “Materials”.

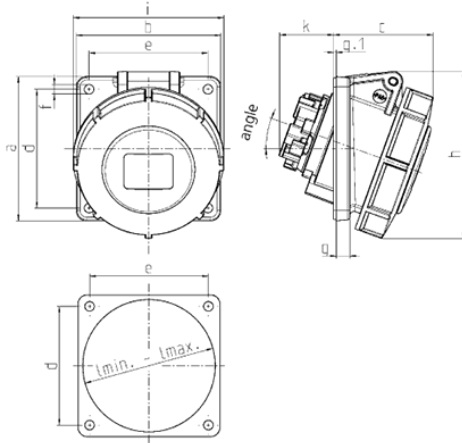
Material and environmental properties

|                                   |     |
|-----------------------------------|-----|
| RoHS 2011/65/EU incl. 2015/863/EU | ✓   |
| POP regulation (EU) 2019/1021     | ✓   |
| Halogen-free                      | yes |

Regulations and Standards

|                           |                    |
|---------------------------|--------------------|
| Norm                      | DIN EN IEC 60309-2 |
| Declaration of Conformity | CE                 |
| Test label                | EAC, CQC           |

# Dimensional Drawing



| Drawing           | Amp.   | 16  |     |     | 32  |     |     |
|-------------------|--|-----|-----|-----|-----|-----|-----|
|                   |  | 3   | 4   | 5   | 3   | 4   | 5   |
| <b>1 MB 520</b>   | <b>Poles</b>   |     |     |     |     |     |     |
| <b>Dim. in mm</b> | <b>a</b>   | 85  | 85  | 85  | 85  | 85  | 85  |
|                   | <b>b</b>   | 85  | 85  | 85  | 85  | 85  | 85  |
|                   | <b>c</b>   | 56  | 59  | 59  | 64  | 64  | 71  |
|                   | <b>d</b>   | 70  | 70  | 70  | 70  | 70  | 70  |
|                   | <b>e</b>   | 70  | 70  | 70  | 70  | 70  | 70  |
|                   | <b>f</b>   | 5.5 | 5.5 | 5.5 | 5.5 | 5.5 | 5.5 |
|                   | <b>g</b>   | 8   | 8   | 8   | 8   | 8   | 8   |
|                   | <b>g.1</b>   | 2   | 2   | 2   | 2   | 2   | 2   |
|                   | <b>h</b>   | 87  | 91  | 99  | 103 | 103 | 110 |
|                   | <b>i</b>   | 78  | 85  | 89  | 103 | 103 | 106 |
|                   | <b>k</b>   | 32  | 32  | 33  | 44  | 44  | 49  |
|                   | <b>l min.</b>  | 57  | 64  | 70  | 78  | 78  | 78  |
|                   | <b>l max.</b>  | 76  | 76  | 76  | 78  | 78  | 78  |
|                   | <b>Terminal for cond. cross section (mm<sup>2</sup>) min.-max.</b> | 1.5 | 1.5 | 1.5 | 2.5 | 2.5 | 2.5 |
|                   |  | -4  | -4  | -4  | -6  | -6  | -6  |