

**MEM Wall-mounted single-lever basin mixer with cover plate without pop-up waste - Brushed Platinum**

MEM

36 864 782 Product version from 10/1/2022



- 207mm projection
- fixed spout
- rectangular, air-enriched flow
- hole diameter spout 37 mm
- hole diameter single-lever mixer 57 mm
- cover plate 80 x 180 mm
- max. flow 5.7 l/min
- lead-free
- This product can help a building meet the requirements of Green Building Rating Systems, e.g. LEED®, BREEAM®, DGNB
- WRAS

	Brushed Platinum	36 864 782-06
	Chrome	36 864 782-00
	Platinum	36 864 782-08
	Dark Chrome	36 864 782-19
	Brushed Light Gold (PVD)	36 864 782-27
	Brushed Durabrass (23kt Gold)	36 864 782-28
	Brushed Gold (PVD)	36 864 782-37
	Brushed Dark Brass (PVD)	36 864 782-39
	Brushed Bronze (PVD)	36 864 782-42
	Brushed Dark Bronze (PVD)	36 864 782-43
	Brushed Champagne (22kt Gold)	36 864 782-46
	Champagne (22kt Gold)	36 864 782-47
	Brushed Dark Platinum	36 864 782-99

**Required miscellaneous**



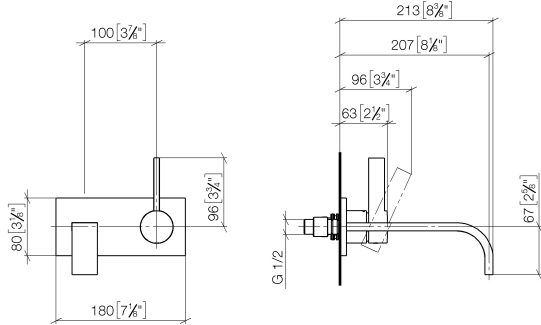
**Concealed wall-mounted single-lever mixer - 35 860 970 90**

- min. recess depth 75 mm
- max. recess depth 95 mm
- mixer can be placed above, to the left or to the right of the spout.

**MEM Wall-mounted single-lever basin mixer with cover plate without pop-up waste - Brushed Platinum**

MEM

36 864 782 Product version from 10/1/2022  
mm [inches]



**Flow rate chart**



**Codes & Standards**

DIN 4109

EN 817

ISO 3822

Scottish Water  
Byelaws

UK Water Supply  
Regulations

Ü-Zeichen



MEM Wall-mounted single-lever basin mixer with cover plate without pop-up waste - Brushed Platinum

---

MEM

36 864 782 Product version from 10/1/2022

Certificates and sustainability

---

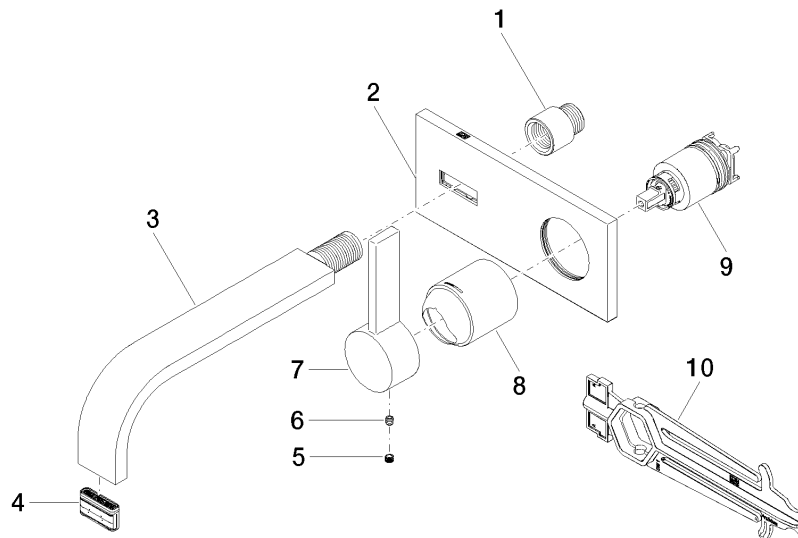
LGA\_29

DVGW\_DW-  
6512DN0

WRAS\_2107

EPD-DOR-20230287  
-IBA1-EN  
Environmental.prod  
uct-declarat

36 864 782 Product version from 10/1/2022



**Spare parts list**

No.	Item Number	Name	Quantity used	Delivery time
3	04 28 22 149 10-06	Spout for washstand wall mounting 200 x 35 x 11 mm - Brushed Platinum	1.00	20
10	90 30 09 064 00 90	Spanner for cartridge nut -	1.00	14
4	90 29 03 109 00 90	Aerator insert 5,7 l/min. -	1.00	14
6	90 31 11 030 00 90	Mounting Threaded pin with hexagon socket with cup point M5 x 5 mm -	1.00	14
8	09 11 02 288-06	Cover Ø 45 x 55 mm - Brushed Platinum	1.00	20
9	90 15 05 064 01 90	Single-lever mixer cartridge with adapter plate incl. installation spanner Ø 35 mm x 58,6 mm -	1.00	-
Spare part can no longer be ordered, please order the replacement item				
	9015050460190	Single-lever mixer cartridge with cartridge insert , torque wrench Ø 35 mm x 58,6 mm -		
5	90 31 20 109 00 90	Plug -	1.00	14
2	90 11 01 186 00-06	Cover 80 x 180 x 9 mm - Brushed Platinum	1.00	20
1	09 24 03 072 10 90	Extension 1/2" x 20 mm -	1.00	14
7	09 20 78 058-06	Handle Lever 23 x 26 x 119 mm - Brushed Platinum	1.00	20