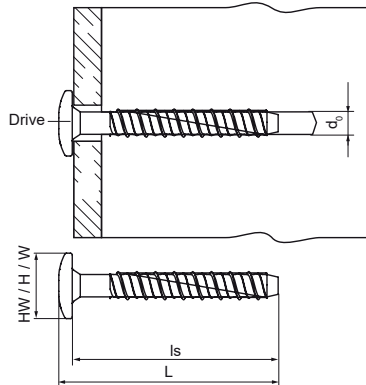


## Walraven W-LX-PX Concrete Screw

(L0357)

zinc-plated concrete screw with a  $\varnothing 17.0$  mm pan head and torx T30 drive



### Features & benefits

- very high load capacity
- approved for use in precast prestressed hollow core slabs
- up to 3 anchoring depths provide maximum installation and design flexibility
- reduced edge and anchor spacing distances
- removable
- unique tip and thread geometry prevents concrete spalling
- material: steel
- zinc plated
- fire resistance class R30-R120 for design of anchorages under exposure to fire
- complies with VdS CEA 4001:2014-04 (05) and VdS CEA 4001:2018-01 (06) for applications with sprinkler systems in concrete elements
- substrate type: cracked concrete, non-cracked concrete, precast pre-stressed hollow core slabs
- for loads and more information, refer to the product data sheets and/or the ETA reports



Product Number	VVS Number	Screw Length	Anchor Size	Key Driver Size	Drill Hole Diameter	Head Width	Total Height	Total Width	Total Length
<i>Reference letter</i>		<i>ls</i>		<i>Drive</i>	<i>d0</i>	<i>HW</i>	<i>H</i>	<i>W</i>	<i>L</i>
<i>Unit description</i>		<i>mm</i>			<i>mm</i>	<i>mm</i>	<i>mm</i>	<i>mm</i>	<i>mm</i>
62432304	018049614	40	6	T30	6	17	17	17	44
62432306	018049616	60	6	T30	6	17	17	17	64