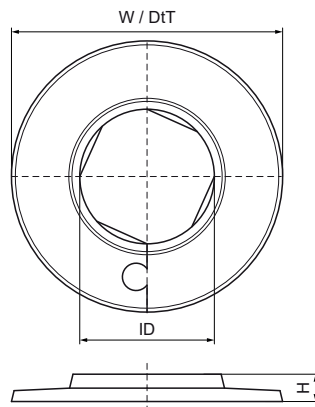


Walraven Rosette

(02005)

finishing of pipe apertures



Features & benefits

- one-part rosette
- for finishing of pipe apertures
- material: PP (polypropylene), white (according to RAL 9016)

Product Number	Inner Diameter	Total Height	Total Width	Total Depth
Reference Letter	ID	H	W	DtT
Unit description	mm	mm	mm	mm
0671412	12	12	50	50
0671415	15	12	55	55
0671418	18	12	55	55
0671422	22	12	55	55
0671428	28	12	55	55
0671435	35	12	65	65