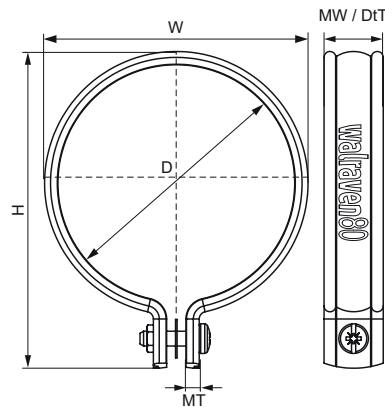


## Walraven PVC Pipe Clamp

(C2005)

for plastic and rain water pipes



### Features & benefits

- one-part clamp
- for fixing of PVC rain water pipes
- for fixing of PVC pipe
- material: hard PVC (polyvinylchloride), grey
- UV-stabilized

| Product Number   | Outside Pipe Diameter | DN     | Connection Thread | Material Width | Material Thickness | Total Height | Total Width | Total Depth | Maximum Allowed Load Faz |
|------------------|-----------------------|--------|-------------------|----------------|--------------------|--------------|-------------|-------------|--------------------------|
| Reference Letter | D                     | D      | G                 | MW             | MT                 | H            | W           | DtT         | F <sub>0,z</sub>         |
| Unit description | mm                    |        |                   | mm             | mm                 | mm           | mm          | mm          | N                        |
| 1300032          | 32                    | DN 25  | None              | 20             | 4.00               | 60           | 41          | 20          | 700                      |
| 1300040          | 40                    | DN 32  | None              | 20             | 4.00               | 67           | 49          | 20          | 700                      |
| 1300050          | 50                    | DN 40  | None              | 20             | 4.00               | 78           | 59          | 20          | 700                      |
| 1300060          | 60                    | DN 50  | None              | 20             | 4.00               | 87           | 69          | 20          | 700                      |
| 1300070          | 70                    | DN 65  | None              | 20             | 4.00               | 97           | 79          | 20          | 700                      |
| 1300075          | 75                    | DN 70  | None              | 20             | 4.00               | 102          | 84          | 20          | 700                      |
| 1300080          | 80                    | DN 70  | None              | 20             | 4.00               | 107          | 89          | 20          | 700                      |
| 1300090          | 90                    | DN 80  | None              | 20             | 4.00               | 117          | 99          | 20          | 700                      |
| 1300100          | 100                   | DN 80  | None              | 20             | 4.00               | 127          | 109         | 20          | 700                      |
| 1300110          | 110                   | DN 100 | None              | 20             | 4.00               | 137          | 119         | 20          | 700                      |
| 1300125          | 125                   | DN 100 | None              | 20             | 4.00               | 152          | 134         | 20          | 700                      |