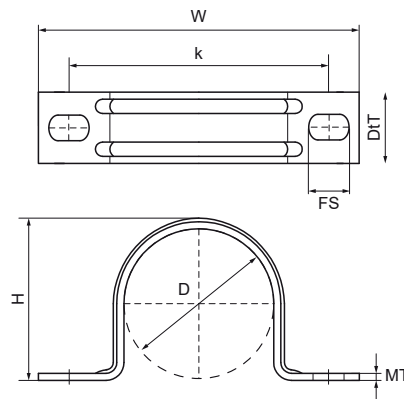


## Walraven Pipe Saddle (zp)

(B3005)

for cables, steel and PVC pipes



### Features & benefits

- one-part saddle
- for diameters of more than 10 mm, the slotted hole allows to adjust small deviations of installations
- for cables, steel and PVC pipes
- 2 nerves
- material: steel
- zinc plated

Product Number	Outside Pipe Diameter	Pipe Diameter Imperial	Fixing Hole	Fixing Slot	Heart To Heart Distance	Material Thickness	Total Height	Total Width	Total Depth	Maximum Allowed Load Faz
Reference Letter	D	D	FH	FS	k	MT	H	W	DtT	F <sub>0,z</sub>
Unit description	mm	"	mm	mm	mm	mm	mm	mm	mm	N
0805017	16	3/8		6x4,5	33	0.80	17	48	15	1,000
0805021	20	1/2		6x4,5	38	1.20	21	54	15	1,500
0805025	25			6x4,5	45	1.20	27.8	58	15	1,500
0805027	26	3/4		6x4,5	45.5	1.20	29	59	15	1,500
0805028	28			6x4,5	47.5	1.20	26	15	62	1,500
0805033	32	1		6x4,5	52.5	1.20	33	66	14	1,500
0805043	42	1 1/4		7x5,5	68	1.20	44	84	20	2,000
0805048	47	1 1/2		7x5,5	68	1.20	47	93	20	2,000
0805061	60	2		7x5,5	89	1.20	61	105	20	2,000
0805022	22		0	6x4,5	42.5	1.20	23.3	55.5	15	1,500
0805050	50			8x6	79	1.20	50.2	95	20	2,000