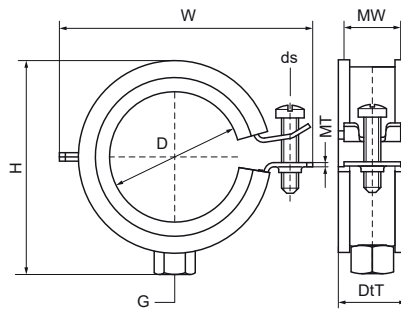


Walraven BISMAT® 2000 'S' (M8) 1-screw

(A0532)

for steam pipes



Features & benefits

- single screw clamp
- with Walraven BISMAT® quick locking system
- clamp easy to close with one hand
- material: steel
- zinc plated
- sound insulating lining according DIN 4109
- tested for fire safety
- heat resistant up to 210°C



EPD

Product Number	Outside Pipe Diameter	DN	Pipe Diameter Imperial	Connection Thread	Material Width	Material Thickness	Screw Size	Total Height	Total Width	Total Depth	Approvals	Maximum Allowed Load Faz
Reference Letter	D	D	D	G	MW	MT	ds	H	W	DtT		F _{a,z}
Unit description	mm		"		mm	mm		mm	mm	mm		N
3404018	15 - 18	DN 10	3/8	M8/M10	20	1.00	M6	46	47	26	RAL-GZ 656, EPD	600
3404023	20 - 23	DN 15	1/2	M8/M10	20	1.00	M6	51	52	26	RAL-GZ 656, EPD	600
3404028	25 - 28	DN 20	3/4	M8/M10	20	1.00	M6	56	57	26	RAL-GZ 656, EPD	600
3404035	31 - 35	DN 25	1	M8/M10	20	1.00	M6	63	64	26	RAL-GZ 656, EPD	600
3404043	40 - 43	DN 32	1 1/4	M8/M10	20	1.25	M6	71	72	26	RAL-GZ 656, EPD	800
3404053	48 - 52	DN 40	1 1/2	M8/M10	20	1.25	M6	79	80	26	RAL-GZ 656, EPD	800
3404063	57 - 63	DN 50	2	M8/M10	20	1.25	M6	90	91	26	RAL-GZ 656, EPD	800