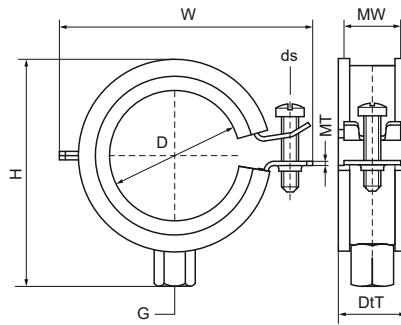


Walraven BISMAT® 2000 (M8/10) 1-screw

(A0516)

for steel, copper, cast iron and plastic (multilayer) pipe



Features & benefits

- single screw clamp
- with Walraven BISMAT® quick locking system
- material: steel
- zinc plated
- sound insulating lining according DIN 4109
- noise reduction according to ISO 3822-1 up to 23 dB(A)
- tested for fire safety



Product Number	Outside Pipe Diameter	DN	Pipe Diameter Imperial	Connection Thread	Material Width	Material Thickness	Screw Size	Total Height	Total Width	Total Depth	Approvals	Maximum Allowed Load Faz
Reference Letter	D	D	D	G	MW	MT	ds	H	W	DtT		F _{a,z}
Unit description	mm		"		mm	mm		mm	mm	mm		N
3403018	15 - 18	DN 10	3/8	M8/M10	20	1.00	M6	46	47	25	RAL-GZ 656, ITB (KOT), CE, ETA, ISO 3822-1, RAL-GZ 655/B, EPD	600
3403023	20 - 23	DN 15	1/2	M8/M10	20	1.00	M6	51	52	25	RAL-GZ 656, ITB (KOT), CE, ETA, ISO 3822-1, RAL-GZ 655/B, EPD	600
3403028	25 - 28	DN 20	3/4	M8/M10	20	1.00	M6	56	57	25	RAL-GZ 656, ITB (KOT), CE, ETA, ISO 3822-1, RAL-GZ 655/B, EPD	600
3403035	31 - 35	DN 25	1	M8/M10	20	1.00	M6	63	64	25	RAL-GZ 656, ITB (KOT), CE, ETA, ISO 3822-1, RAL-GZ 655/B, EPD	600
3403043	40 - 43	DN 32	1 1/4	M8/M10	20	1.25	M6	71	72	25	RAL-GZ 656, ITB (KOT), CE, ETA, ISO 3822-1, RAL-GZ 655/B, EPD	800
3403053	48 - 51	DN 40	1 1/2	M8/M10	20	1.25	M6	79	80	25	RAL-GZ 656, ITB (KOT), CE, ETA, ISO 3822-1, RAL-GZ 655/B, EPD	800
3403054	53 - 56	-	-	M8/M10	20	1.25	M6	84	85	25	RAL-GZ 656, ITB (KOT), CE, ETA, ISO 3822-1, RAL-GZ 655/B, EPD	800
3403063	59 - 63	DN 50	2	M8/M10	20	1.25	M6	90	91	25	RAL-GZ 656, ITB (KOT), CE, ETA, ISO 3822-1, RAL-GZ 655/B, EPD	800