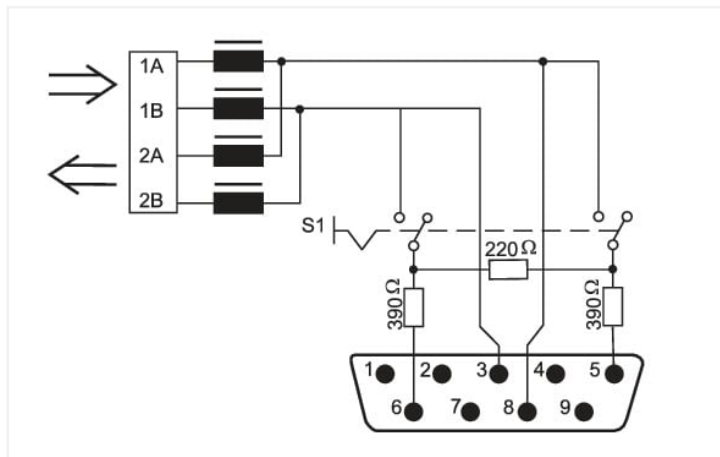
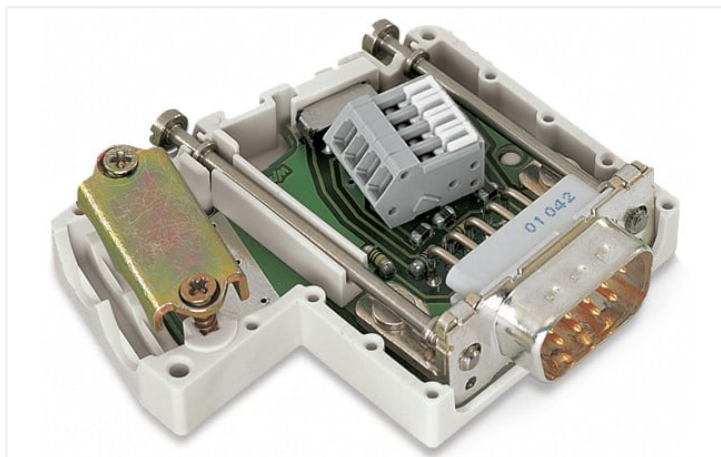


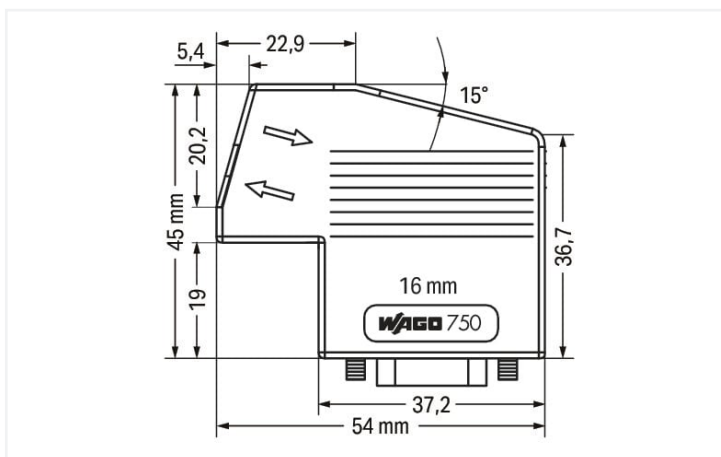
Data Sheet | Item Number: 750-960

Fieldbus Connector PROFIBUS; with D-sub male connector; 9-pole

<https://www.wago.com/750-960>



Color: ■ light gray



Dimensions in mm

This fieldbus connector links a PROFIBUS device to a PROFIBUS line.

The fieldbus connector has the following features:

- Two horizontal cable entries for both input and output
- Fast and maintenance-free CAGE CLAMP® connection – a locking slide keeps the clamping unit in its open position
- Externally operable switch to activate or deactivate the network terminating resistor
-
- For the first and last station on the bus, the switch must be set to "ON" (Terminating resistor activated)
Switch setting to "OFF" for downstream bus stations (Terminating resistor deactivated)

Technical data

| | |
|------------------------|--|
| Connection type | D-sub 9 plug |
| Pole number | 9 |
| Communication/fieldbus | PROFIBUS |
| Baud rate | 12 Mbit/s (per PROFIBUS specification) |
| Supply voltage | 4.75 ... 5.25 VDC |
| Input current | 5 mA |

Connection data

| | |
|-------------------|--|
| Connection type 1 | CAGE CLAMP® terminal strip with locking slide (218 Series) |
| Solid conductor | 0.08 ... 0.5 mm ² / 28 ... 20 AWG |
| Strip length | 5 ... 6 mm / 0.2 ... 0.24 inches |

Physical data

| | |
|--------|----------------------|
| Width | 54 mm / 2.126 inches |
| Height | 16 mm / 0.63 inches |
| Depth | 45 mm / 1.772 inches |

Mechanical data

| | |
|-------------------------------------|----------------|
| Connectable sheathed cable diameter | 4.5 ... 9.5 mm |
| Cable glands (number) | 2 |
| Housing material | PA66-105-V2 |
| Weight | 33.4 g |
| Color | light gray |

Environmental requirements

| | |
|--|----------------------|
| Ambient temperature (operation) | 0 ... +60 °C |
| Ambient temperature (storage) | -25 ... +85 °C |
| Protection type | IP20 |
| Relative humidity (without condensation) | 95 % |
| Vibration resistance | 4g per IEC 60068-2-6 |
| Fire load | 0.623 MJ |

Commercial data

| | |
|-----------------------|-----------------|
| Product Group | 15 (I/O System) |
| eCl@ss 10.0 | 27-24-26-92 |
| eCl@ss 9.0 | 27-24-26-92 |
| ETIM 8.0 | EC002584 |
| ETIM 7.0 | EC002584 |
| PU (SPU) | 1 pcs |
| Packaging type | Bag |
| Country of origin | DE |
| GTIN | 4045454320157 |
| Customs tariff number | 85366990990 |

Environmental Product Compliance

| | |
|------------------------|-------------------------|
| RoHS Compliance Status | Compliant, No Exemption |
|------------------------|-------------------------|

Approvals / Certificates

General approvals



| Approval | Standard | Certificate Name |
|---|----------|------------------|
| UL Underwriters Laboratories Inc. (ORDINARY LOCATIONS) | UL 508 | E175199 Sec.1 |

Declarations of conformity and manufacturer's declarations

Approval Standard Certificate Name

| | | |
|--|---|---|
| EU-Declaration of Conformity WAGO GmbH & Co. KG | - | - |
| UK-Declaration of Conformity WAGO GmbH & Co. KG | - | - |

Approvals for marine applications



| Approval | Standard | Certificate Name |
|------------------------------------|-----------------------|-------------------|
| ABS American Bureau of Shipping | - | 22-2219060 |
| BV Bureau Veritas S.A. | - | 13453/E0 BV |
| DNV DNV GL SE | DNV-CG-0339, Aug.2021 | TAA0000194 |
| KR Korean Register of Shipping | - | KR HMB05880-AC001 |
| LR Lloyds Register EMEA | - | LR22180952TA |
| PRS Polski Rejestr Statków | - | TE/2236/880590/19 |
| RINA RINA Germany GmbH | - | ELE343521XG001 |

Approvals for hazardous areas



Approval Standard Certificate Name

| | | |
|--|----------------|---|
| ATEX TUEV Nord Cert GmbH | EN 60079-0 | TUEV14ATEX148929X (II 3 G Ex ec IIC T4 Gc) |
| CCCEX CQST/CNEC | CNCA-C23-01 | 2020312310000213 (Ex ec IIC T4 Gc) |
| EAC Brjansker Zertifizierungsstelle | TP TC 012/2011 | EAC RU C-DE.AM02. B.00163/19 (2Ex nA IIC T4 Gc X) |
| IECEX TUEV Nord Cert GmbH | IEC 60079-0 | IECEX TUN 14.0035 X (Ex ec IIC T4 Gc) |
| INMETRO TÜV Rheinland do Brasil Ltda. | IEC 60079-0 | BR-Ex_TÜV 12.1297 X |
| UKEx WAGO GmbH & Co. KG | EN 60079-0 | UKCA_WA GO22UKEX003X_ec |

Downloads

Environmental Product Compliance

Compliance Search

| | |
|--|---|
| Environmental Product Compliance 750-960 | ↓ |
|--|---|

Documentation

Manual

| | | | |
|---------------------------------------|-----------------------|-------------------|---|
| System Manual WAGO I/O System 750/753 | V 3.3.3 29.08.2023 | pdf 8512.61 KB | ↓ |
|---------------------------------------|-----------------------|-------------------|---|

System Description

| | | |
|---|------------------|---|
| Overview on WAGO-I/O-SYSTEM 750 approvals | pdf 770.48 KB | ↓ |
|---|------------------|---|

| Bid Text | | | |
|----------------------------|------------|-----------------|---|
| 750-960 | 19.02.2019 | xml 4.61 KB | ↓ |
| 750-960 | 06.10.2017 | doc 26.50 KB | ↓ |
| ausschreiben.de 750-960 | | | ↓ |

| Instruction Leaflet | | | |
|---------------------------------|------------|------------------|---|
| CCC Ex (Additional information) | 26.04.2023 | pdf 159.76 KB | ↓ |

CAD/CAE-Data

| CAD data | |
|----------------------|---|
| 2D/3D Models 750-960 | ↓ |

| CAE data | |
|------------------------------|---|
| EPLAN Data Portal 750-960 | ↓ |
| WSCAD Universe 750-960 | ↓ |
| ZUKEN Portal 750-960 | ↓ |