

# Panel mounted receptacle

Part number: 2546P



**MENNEKES**  
Elektrotechnik GmbH & Co. KG

Aloys-Mennekes-Straße 1  
57399 Kirchhundem  
GERMANY

[www.MENNEKES.org](http://www.MENNEKES.org)

## Product Description

- frame terminals
- X-CONTACT
- 15° inclination
- rubberised bayonet ring

## Technical Details

Panel mounted receptacle	2546P
Ampere	125A
Number of poles	5p
Clock position	5h
Nominal voltage AC	600 - 690V
Nominal frequency	50 - 60 Hz
Protection type IP	IP67
Contact carrier	standard
X-CONTACT	yes
Connection	frame terminals
Contact screw drive	allen key
Pilot contact	1 pilot contact
Pilot contact switch	no
Flange dimensions	114 x 110 mm
Hole spacings	90 x 90 mm
Insertion direction	angled
Inclination	15°
Highly resistant to chemicals	no
Military version	no
Tightening torque connection terminal	10 Nm
Conductor cross-section min.	25 mm <sup>2</sup>
Conductor cross-section max.	70 mm <sup>2</sup>
Weight (net)	1050 g
Packaging unit	5 pcs
Quantity per pallet	270 pcs

Panel mounted receptacle	2546P
EAN / identification number	4015394193715

**Permissible ambient conditions**

	Min.	Max.
Permissible ambient temperature	-25 °C	40 °C
Average temperature over 24 hours		35 °C

**Material properties**

Housing	PC light grey [similar RAL 7035]
Hinged lid	PBT/PC black [similar RAL 9005] TPE black [similar RAL 9005] PBT/PC squirrel grey [similar RAL 7000] TPE anthracite [similar RAL 7016]

**Material resistance**

The material resistance overview can be found on the website in the section “Knowledge” - “Product knowledge” - “Materials”.

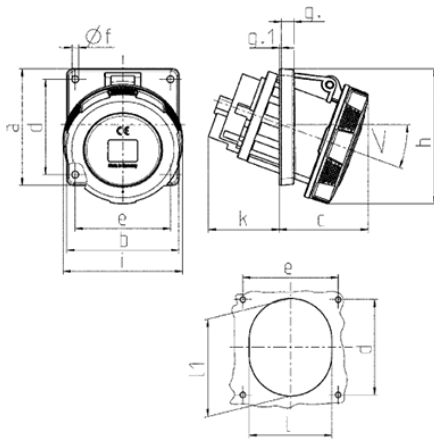
**Material and environmental properties**

RoHS 2011/65/EU incl. 2015/863/EU	✓
POP regulation (EU) 2019/1021	✓
Halogen-free	no

**Regulations and Standards**

Norm	DIN EN IEC 60309-2
Declaration of Conformity	CE
Test label	EAC

# Dimensional Drawing



Drawing 1 MB 601	Amp. Poles	63		125	
		5	3	4	5
Dim. in mm	a	110	114	114	114
	b	106	110	110	110
	c	84	75	75	75
	d	90	90	90	90
	e	90	90	90	90
	f	6.5	6.2	6.2	6.2
	g	12	13	13	13
	g.1	2	2	2	2
	h	128	133	133	133
	i	113	126	126	126
	k	67	103	103	103
	l	92	94	94	94
	l1	98	107	107	107
	<	15°	15°	15°	15°
Terminal for cond. cross section (mm <sup>2</sup> ) min.-max.		6 -20	25 -70	25 -70	25 -70