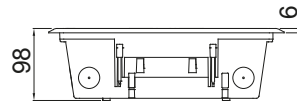
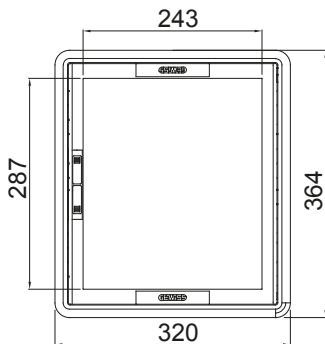


Wide range of surface-mounting and flush-mounting boxes for domestic ranges with high mechanical robustness and accessories supplied: dividers, junction elements, mortarguard shield, etc. Completing the range, the distribution outlet boxes for floor-mounting installations can be personalised in terms of capacity, external design finish, and internal fittings (they take both System range components and DIN rail devices).

In overeenstemming met normen	EN 60670-1, EN 60670-23, CEI 23-48	Installatie temperatuur	-5 ÷ +45 °C
Compatibility with domestic range	SYSTEM	Degree of protection underfloor outlet box edge/floor	IP52
Interne modulariteit	20 SYSTEM-modules	Degree of protection cover/underfloor outlet box interior	IP40 (IP20 cable opening)
Aant. steunen	4 steunen met 5 System mod.	Gloeidraadtest	850 °C
Buitenste afm. LxHxD (mm)	364 x 98 x 320	Resistance to point load (N)	500
Materiaal	GW PLAST Technopolymer	Resistance to distributed load (N)	1000
Halogeenvrij	Halogeenvrij conform EN 60754-2		

DIMENSIONAL



TECHNICAL SYMBOLOGY



850 °C

STANDARDS/APPROVALS

