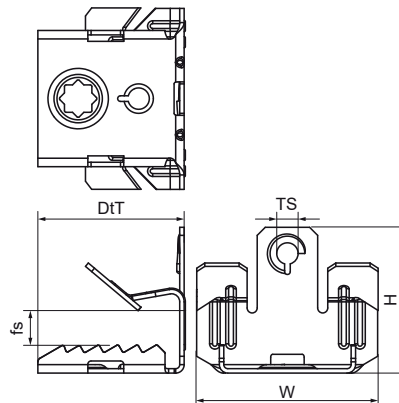
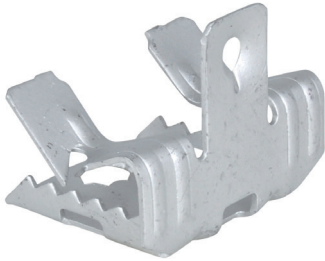


Walraven Britclips® FU

(J1005)

for flange



Features & benefits

- for a solid fixing under flanges without welding or drilling
- suitable for horizontal and vertical flanges
- with female thread M6
- material: spring steel (type CS70)
- surface treatment: Delta-Tone 9000 (480 hours)

| Product Number | For flange size | Thread Size | Total Height | Total Width | Total Depth | Maximum Allowed Load Faz |
|-------------------------|-----------------|-------------|--------------|-------------|-------------|--------------------------|
| <i>Reference Letter</i> | <i>fs</i> | <i>TS</i> | <i>H</i> | <i>W</i> | <i>DtT</i> | <i>Fo,z</i> |
| <i>Unit description</i> | <i>mm</i> | | <i>mm</i> | <i>mm</i> | <i>mm</i> | <i>N</i> |
| 51420607 | 3 - 7 | M6 | 23 | 45 | 37.5 | 450 |
| 51420613 | 8 - 12.5 | M6 | 28 | 45 | 37.5 | 450 |
| 51420620 | 14 - 20 | M6 | 44 | 45 | 37.5 | 450 |
| 51420663 | 8 - 12.5 | M6 | 28 | 45 | 37.5 | 450 |