

SpaceLogic™ Glass Touch Panels

Modbus Glass Touch Panels

Schneider Electric offers beautifully designed glass panels with an intuitive touch interface to enable guests to control room temperature, lighting, curtains, services, and more for a best-in-class guest experience. Our complete line of Glass Touch Panels (GTP) is highly customizable to reflect each hotel's unique visual aesthetic. The panels are EcoStruxure™ ready devices and integrate with the SpaceLogic RP-C Pro Room Controller through the Modbus RTU (RS485) serial interface. The bedside panels are compatible with the Schneider Electric D-Life and New Unica series sockets.

Safety Information

Electrical equipment should be installed, operated, serviced, and maintained only by qualified personnel. No responsibility is assumed by Schneider Electric for any consequences arising out of the use of this material. Carefully read these instructions and all information relevant for this product before trying to install it. See the list of technical literature.

Technical Literature

- SpaceLogic and EasyLogic - Hardware Reference Guide, 04-XX001-XX-en

The technical literature and declarations of conformity can be accessed on the Schneider Electric extranet, ecoxpert.se.com. Contact your local Schneider Electric sales office for a hard copy of the documentation or for additional information.

Product Description

Product	Part Number	Dimensions (WxHxD) and Weight	Diagram
Panel with 9 buttons	SLGM09BU	95 x 95 x 25.8 mm (3.74 x 3.74 x 1.02 in) 200 g (0.44 lb)	
Panel with 8 buttons and PIR	SLGM08BUM	95 x 95 x 31.9 mm (3.74 x 3.74 x 1.26 in) 201 g (0.44 lb)	
Door Panel with 1 button, 2 indicators and room number	SLGM03DP	95 x 95 x 25.8 mm (3.74 x 3.74 x 1.02 in) 201 g (0.44 lb)	
Keycard Holder with 3 buttons	SLGM03KH	95 x 95 x 35.8 mm (3.74 x 3.74 x 1.41 in) 204 g (0.45 lb)	
Thermostat with 7 buttons	SLGM07TH	95 x 95 x 25.8 mm (3.74 x 3.74 x 1.02 in) 201 g (0.44 lb)	
Thermostat with 8 buttons	SLGM08TH	170 x 95 x 25.8 mm (6.69 x 3.74 x 1.02 in) 354 g (0.78 lb)	
Thermostat with 8 buttons and PIR	SLGM08THM	170 x 95 x 31.9 mm (6.69 x 3.74 x 1.26 in) 352 g (0.78 lb)	
Combo Bedside Panel with 9 buttons & Thermostat with 7 buttons	SLGM09BT07	170 x 95 x 25.8 mm (6.69 x 3.74 x 1.02 in) 359 g (0.79 lb)	
Bedside Panel with 9 buttons & 1 D-Life socket	SLGM09BS2G_D	170 x 95 x 25.8 mm (6.69 x 3.74 x 1.02 in) 296 g (0.65 lb)	
Bedside Panel with 9 buttons & 1 New Unica socket	SLGM09BS2G_U	170 x 95 x 25.8 mm (6.69 x 3.74 x 1.02 in) 293 g (0.65 lb)	
Bedside Panel with 9 buttons & 2 D-Life sockets	SLGM09BS3G_D	245 x 95 x 25.8 mm (9.65 x 3.74 x 1.02 in) 405 g (0.89 lb)	
Bedside Panel with 9 buttons & 2 New Unica sockets	SLGM09BS3G_U	245 x 95 x 25.8 mm (9.65 x 3.74 x 1.02 in) 395 g (0.87 lb)	

Installation Restrictions

⚠ WARNING

HAZARD OF ELECTRIC SHOCK, EXPLOSION OR ARC FLASH

- Remove all power from the device including all other devices connected to the RS485 bus before connecting or disconnecting the wiring.
- Disconnect the power supply before installing or removing the device.
- Always use a properly rated voltage sensing device to confirm that the power is off.
- Ensure that the product has been correctly installed and tested for safe operation before reconnecting the power supply.
- Use only the specified voltage when operating the device. This device is designed to use 24 VDC. Always check that the device is connected to a DC power supply before applying power.

Failure to follow these instructions can result in death, serious injury or equipment damage.

⚠ CAUTION

INSTALLATION HAZARD

- Make sure there is a depth of at least 35mm (1.38 in) on a wall box for the glass touch panel.

Failure to follow these instructions can result in injury or equipment damage.

NOTICE

INSTALLATION

- The system must be installed correctly by a qualified technician.
- Electronic controls are static sensitive devices. Discharge yourself correctly before manipulating and installing the panel.
- A short circuit or wrong wiring may permanently damage the panel or equipment.
- The power supply must be connected to the power terminals (GND, +24V), the RS485 serial interface cannot be used to supply power to the panel.
- Do not modify or connect or disconnect components to the RS485 bus until the panel commissioning is completely finished.

Failure to follow these instructions can result in equipment damage.

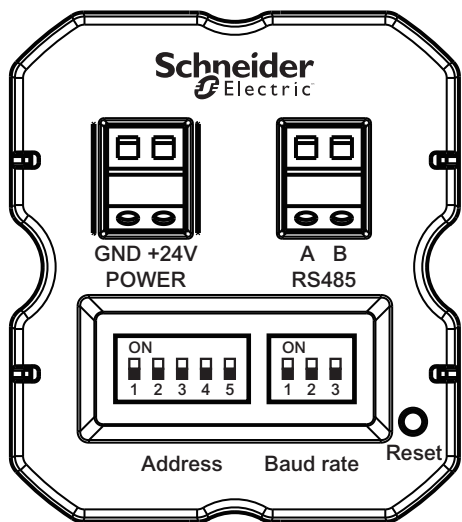
NOTICE

CLEANING THE GLASS TOUCH PANELS

- Use a soft, pre-moistened lint-free cloth for cleaning.
- Do not spray anything directly on the panel or use compressed air.
- Do not use caustic/corrosive products, ammonia, solvents or any cleaning product containing alcohol or grit.
- Never use tools directly on the glass surface.
- Never use paint on the panel.
- Do not drop or crush the panel or allow it to come into contact with liquids.
- Do not use a damaged device (such as one with cracked glass).

Failure to follow these instructions can result in equipment damage.

Configuration and Wiring



Modbus Address	DIP Switch				
	1	2	3	4	5
5	ON	OFF	ON	OFF	OFF
6	OFF	ON	ON	OFF	OFF
7	ON	ON	ON	OFF	OFF
8	OFF	OFF	OFF	ON	OFF
9	ON	OFF	OFF	ON	OFF
10	OFF	ON	OFF	ON	OFF
11	ON	ON	OFF	ON	OFF
12	OFF	OFF	ON	ON	OFF
13	ON	OFF	ON	ON	OFF
14	OFF	ON	ON	ON	OFF
15	ON	ON	ON	ON	OFF
16	OFF	OFF	OFF	OFF	ON
17	ON	OFF	OFF	OFF	ON
18	OFF	ON	OFF	OFF	ON
19	ON	ON	OFF	OFF	ON
20	OFF	OFF	ON	OFF	ON
21	ON	OFF	ON	OFF	ON
22	OFF	ON	ON	OFF	ON
23	ON	ON	ON	OFF	ON
24	OFF	OFF	OFF	ON	ON

Modbus Address	DIP Switch				
	1	2	3	4	5
25	ON	OFF	OFF	ON	ON
26	OFF	ON	OFF	ON	ON
27	ON	ON	OFF	ON	ON
28	OFF	OFF	ON	ON	ON
29	ON	OFF	ON	ON	ON
30	OFF	ON	ON	ON	ON
31	ON	ON	ON	ON	ON

* Modbus address 0 is the broadcast address, no response.

Baud Rate	DIP Switch		
	1	2	3
9600	OFF	OFF	OFF
14400	ON	OFF	OFF
19200	OFF	ON	OFF
38400	ON	ON	OFF
56000	OFF	OFF	ON
57600	ON	OFF	ON
76800	OFF	ON	ON
115200	ON	ON	ON

Modbus Address	DIP Switch				
	1	2	3	4	5
0*	OFF	OFF	OFF	OFF	OFF
1	ON	OFF	OFF	OFF	OFF
2	OFF	ON	OFF	OFF	OFF
3	ON	ON	OFF	OFF	OFF
4	OFF	OFF	ON	OFF	OFF

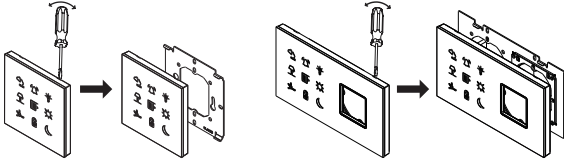
For the POWER wiring use size 0.33 mm² (22 AWG), stripping: 5 - 6 mm (0.20 - 0.24 in).

For the RS485 wiring use shielded twisted pair low capacitance cable, impedance 120 ohm, size 0.33 - 0.20 mm² (22 - 24 AWG), stripping: 5 - 6 mm (0.20 - 0.24 in).

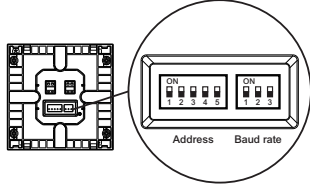
For information on wiring, see the SpaceLogic and EasyLogic - Hardware Reference Guide.

Installation and Commissioning

- ① Remove the protective wrap before installation. Separate the mounting plate from the panel using a flat head screwdriver.

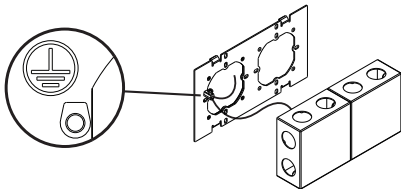


- ② Set the Modbus communication address and the Baud rate through the DIP switches on the back of the panel.

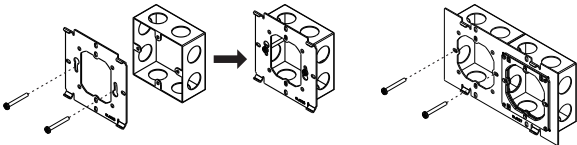


Step 3 is for Bedside Panels with D-Life sockets only (SLGM09BS2G_D and SLGM09BS3G_D):

- ③ If there is a ground terminal on the mounting plate, connect the terminal to a ground wire where the wire will be connected to the socket ground terminal in step 5.



- ④ Install the mounting plate to the wall box with the 2 screws.

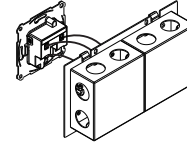


Note: Bedside Panel SLGM09BT07 requires 4 screws, 2 for each wall box.

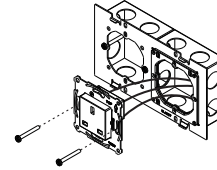
Note: Bedside Panels SLGM09BT07, SLGM09BS2G_D and SLGM09BS2G_U require 2 wall boxes. Bedside Panels SLGM09BS3G_D and SLGM09BS3G_U require 3 wall boxes.

Steps 5 and 6 are for Bedside Panels with D-Life or New Unica sockets only (SLGM09BS2G_D, SLGM09BS2G_U, SLGM09BS3G_D and SLGM09BS3G_U):

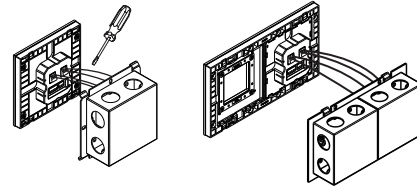
- ⑤ Connect the socket to the power wires through the wall box. For D-Life sockets SLGM09BS2G_D and SLGM09BS3G_D, connect the socket ground terminal to the ground wire that was connected to the ground terminal on the mounting plate in step 3.



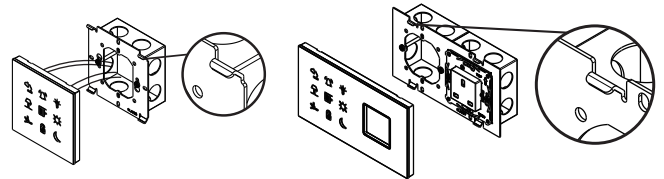
- ⑥ Install the socket to the mounting plate with the 2 screws.



- ⑦ Connect the panel to the power wires (+24V/GND) and the Modbus RS485 wires (A/B) through the wall box. Recommended screw tightening torque: 0.2Nm (0.15 ft-lb).

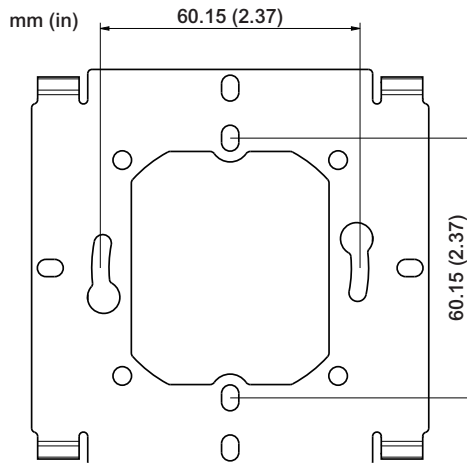


- ⑧ Install the panel to the mounting plate by using the clips.



- ⑨ For information on how to commission the panel, see the "SpaceLogic™ Modbus Glass Touch Panels User Guide".

Mounting Screw Dimensions



General Specifications

Electrical

Power supply voltage

24 VDC

Current consumption

≤ 30 mA

≤ 60 mA for combo bedside panel

SLGM09BT07 only

Communication protocol

Modbus RTU over RS-485 serial interface

Environment

Environmental conditions

Indoor use only

Operating temperature

0 to 45 °C (32 to 113 °F)

Operating humidity

10 to 90% RH, non-condensing

Storage temperature

-40 to 70 °C (-40 to 158 °F)

Material

Enclosure and color

Front surface: Glass; black, white, champagne gold or silver

Flush-mounted part: PC+ABS; white for white

glass, black for the other three glass colors

Mounting plate: Metal; black

Mechanical

Button backlight colors

RGB LED configurable, 256 colors

Product certifications

CE, RoHS, REACH

IP rating

IP 20 - EN 60529

Safety class

II - EN 61140

Sensors

Proximity sensor detection range

15±5 cm (5.9±2.0 in)

PIR sensor detection range

Horizontal direction: 5m, 110° @ 23 °C

Vertical direction: 2m, 80° @ 23 °C

for SLGM08BUM and SLGM08THM panels only

Thermostat accuracy

±1 °C (±1.8 °F)

for SLGM07TH, SLGM08TH, SLGM08THM and SLGM09BT07 Thermostats only

Installation

Mounting

Snap-in magnetic clips on back of panel that attach to mounting plate

Wall box

BS or CE60 wall box, 35 mm (1.38 in) depth or more

BS wall box only for Bedside Panels with D-Life sockets (SLGM09BS2G_D and SLGM09BS3G_D)

CE60 wall box only for Bedside Panels with New Unica sockets (SLGM09BS2G_U and SLGM09BS3G_U)

Installation equipment included

Glass Touch Panel

Mounting plate

Mounting screws

Other equipment

Schneider Electric sockets

D-Life: MTN2120-0000

New Unica: NU305918+NU7002 or

NU303354+NU7002

Technical Support & Warranty

For technical or warranty queries, contact the Customer Care Centre in your country: ecoxpert.se.com/support