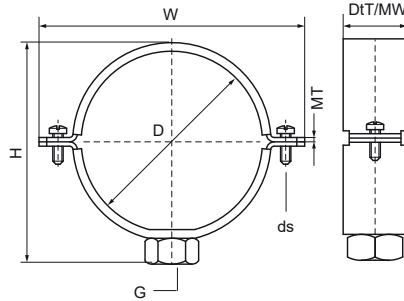


Walraven 434 Clamp (M10) (zp)

(B3525)

for PE-pipes



Features & benefits

- two-screw clamp
- as guiding clamp for PE-Pipe
- for rigid fixing point fastening it is necessary to use metal clamp liners (Part No. 4337XXX)
- screws secured with anti-loss washer
- material: steel
- zinc plated



Product Number	Outside Pipe Diameter	DN	Connection Thread	Total Height	Total Width	Total Depth	Material Width	Material Thickness	Screw Size	Maximum Allowed Load Faz	Approvals
Reference Letter	D	D	G	H	W	DeT	MW	MT	ds	Fa,z	
Unit description	mm			mm	mm	mm	mm	mm		N	
4343040	40	DN 32	M10	63	84	30	30	3.00	M6	1,100	ITB (KOT), EPD
4343050	50	DN 40	M10	73	94	30	30	3.00	M6	1,100	ITB (KOT), EPD
4343056	56	DN 50	M10	79	100	30	30	3.00	M6	1,100	ITB (KOT), EPD
4343063	63	-	M10	87	108	30	30	3.00	M6	1,100	ITB (KOT), EPD
4343075	75	DN 70	M10	99	119	30	30	3.00	M6	1,100	ITB (KOT), EPD
4343090	90	DN 80	M10	113	134	30	30	3.00	M6	1,100	ITB (KOT), EPD
4343110	110	DN 100	M10	134	154	30	30	3.00	M6	1,100	ITB (KOT), EPD
4343125	125	DN 125	M10	150	169	30	30	3.00	M6	1,100	ITB (KOT), EPD
4343160	160	DN 150	M10	185	204	30	30	3.00	M6	1,100	ITB (KOT), EPD
4343200	200	DN 200	M10	220	281	38	38	4.00	M8	6,200	ITB (KOT), EPD
4343250	250	DN 250	M10	270	325	38	38	4.00	M8	6,200	ITB (KOT), EPD
4343315	312	DN 300	M10	335	393	38	38	4.00	M8	6,200	ITB (KOT), EPD