

VAIA Wall-mounted single-lever basin mixer without pop-up waste - Brushed Platinum

VAIA

36 860 809 Product version from 4/1/2024



- 190mm projection
- fixed spout
- circular, air-enriched flow
- hole diameter spout 37 mm
- hole diameter single-lever mixer 57 mm
- rosette for single-lever mixer Ø 78mm
- rosette for spout Ø 60mm
- max. flow 5.7 l/min
- lead-free
- This product can help a building meet the requirements of Green Building Rating Systems, e.g. LEED®, BREEAM®, DGNB
- WRAS

	Brushed Platinum	36 860 809-06
	Chrome	36 860 809-00
	Platinum	36 860 809-08
	Dark Chrome	36 860 809-19
	Brushed Durabrass (23kt Gold)	36 860 809-28
	Brushed Gold (PVD)	36 860 809-37
	Brushed Dark Brass (PVD)	36 860 809-39
	Brushed Bronze (PVD)	36 860 809-42
	Brushed Dark Bronze (PVD)	36 860 809-43
	Brushed Champagne (22kt Gold)	36 860 809-46
	Champagne (22kt Gold)	36 860 809-47
	Brushed Dark Platinum	36 860 809-99

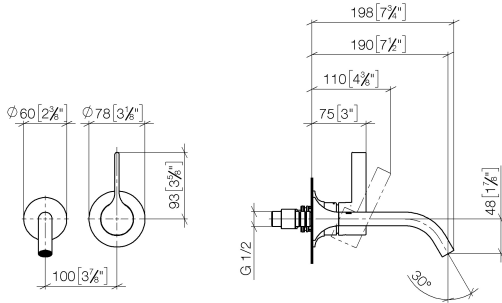
Required miscellaneous



Concealed wall-mounted single-lever mixer - 35 860 970 90

- min. recess depth 75 mm
- max. recess depth 95 mm
- mixer can be placed above, to the left or to the right of the spout.

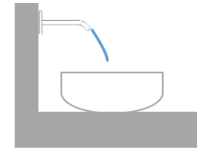
36 860 809 Product version from 4/1/2024
mm [inches]



Flow rate chart



Trajectory diagram



Codes & Standards

DIN 4109

EN 817

ISO 3822

Scottish Water
Byelaws

UK Water Supply
Regulations

Ü-Zeichen



VAIA Wall-mounted single-lever basin mixer without pop-up waste - Brushed
Platinum

VAIA

36 860 809 Product version from 4/1/2024

Certificates and sustainability

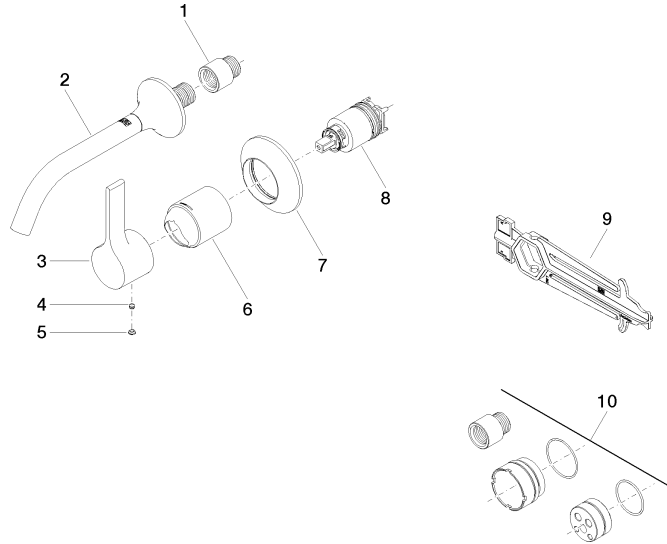
DVGW_DW-
6512DN0

LGA_29

WRAS_2107

EPD-DOR-20230287
-IBA1-EN
Environmental.prod
uct-declarat

36 860 809 Product version from 4/1/2024



Spare parts list

No.	Item Number	Name	Quantity used	Delivery time
1	09 24 03 072 10 90	Extension 1/2" x 20 mm -	1.00	14
8	90 15 05 064 01 90	Single-lever mixer cartridge with adapter plate incl. installation spanner Ø 35 mm x 58,6 mm -	1.00	-
Spare part can no longer be ordered, please order the replacement item				
	9015050460190	Single-lever mixer cartridge with cartridge insert , torque wrench Ø 35 mm x 58,6 mm -		
7	90 27 80 012 00-06	Rosette Ø 55 x 18 mm - Brushed Platinum	1.00	20
6	09 11 02 288-06	Cover Ø 45 x 55 mm - Brushed Platinum	1.00	20
9	90 30 09 064 00 90	Spanner for cartridge nut -	1.00	14
2	13 800 809-06	VAIA Wall-mounted basin spout without pop-up waste - Brushed Platinum	1.00	20
5	90 31 20 087 00-06	Plug with O-ring Ø 7 x 2,1 mm - Brushed Platinum	1.00	20
4	90 31 11 063 00 90	Mounting Threaded pin with hexagon socket with cup point M5 x 4 mm -	1.00	14
10	12 869 970 90	Extension 20 mm -	1.00	14
3	90 20 80 072 00-06	handle	1.00	-
Spare part can no longer be ordered, please order the replacement item				