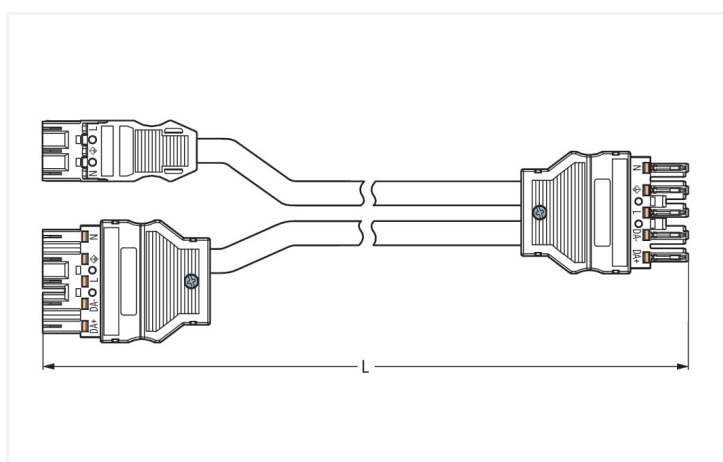
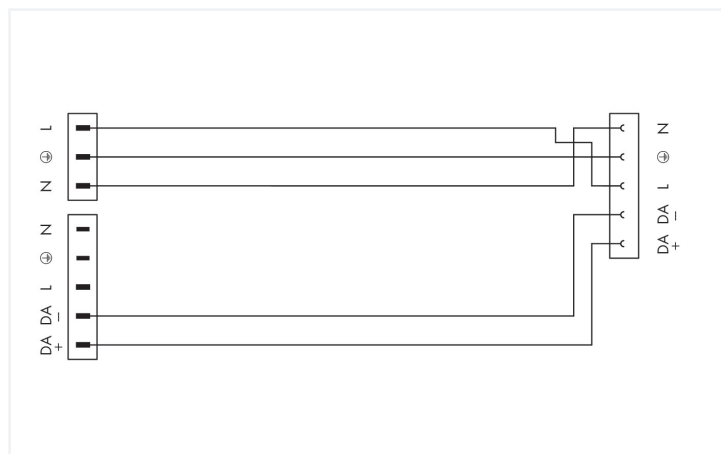


## Data Sheet | Item Number: 771-5001/181-000

pre-assembled Y-cable; Eca; 2 x plug/socket; 3-pole + 5-pole/5-pole; Cod. A/I;  
H05Z1Z1-F 3G 2.5 mm<sup>2</sup>; H05Z1Z1-F 2 x 1,50 mm<sup>2</sup>; 0.5 m; 1,50 mm<sup>2</sup>

<https://www.wago.com/771-5001/181-000>



Dimensions in mm

### Cable assembly WINSTA® MIDI I coding

For signal and power transmission: The WINSTA® MIDI cable assembly with protection type IP20. WAGO pluggable installation connectors can be used when specifications repeat or are distributed on a specified pattern, for example for installing grid lighting or flush-mount lighting. The coding options reduce installation errors, allowing fast, maintenance-free wiring of all components. The pluggable installation connector is protected in accordance with protection type IP20 (When mated: IP2xC (These compact connectors are not designed for use in open, easily accessible areas!)). That results in the fact that users' fingers will never come into contact with energised elements. Controlled lighting equipment, as used in the DALI standard, for example, is the main use of WINSTA® MIDI pluggable installation connectors with I coding. The WINSTA® MIDI Pluggable Connection System with Push-in CAGE CLAMP® spring pressure connection technology facilitates safe electrification. Thanks to the built-in test slot, connections can be checked even when they are plugged in. This saves time, labor, and money. According to the European CPR, the fire class of the cables used in construction is critical for building safety as well. For buildings with medium-level safety requirements, cable assemblies with fire class E are suitable. Not using halogen additives in the production of this cable assembly substantially improves fire safety and reduces environmental contamination.

Fast, error-free assembly thanks to cable assemblies from WAGO

The cable is pre-assembled with a MIDI plug, a MIDI plug and a MIDI socket. The WINSTA® Pluggable Connection System allows pluggable electrical installation. This saves time, lowers costs, and reduces the need for servicing. Now you can also cut installation expenses without compromising safety and quality: with strain relief hosting reduces the need for servicing and prevents unnecessary downtime.

- pluggable installation connectors with protection against mismatching
- simple circuits
- for lighting management

- exact dimensions
- rapid, structured electrical installation

## Notes

Note Cables with a different fire class can be found in the eShop.

## Electrical data

Ratings per	IEC/EN 60664-1		
Overvoltage category	III	III	II
Pollution degree	3	2	2
Nominal voltage	250 V	-	-
Rated impulse withstand voltage	4 kV	-	-
Rated current	16 A	-	-

## General information

Note on contact resistance approx. 1 mΩ of contact resistance  
approx. 0.25 mΩ contact transition plug/socket

## Connection Data

Total number of potentials 5

### Connection 1

Pole number 5  
Wire cross-section 1.5 mm<sup>2</sup>  
Connection type MIDI plug; MIDI plug - MIDI socket

### Connection 2

Pole number 3  
Sheathed cable diameter 9.2 ... 11.4 mm  
Wire cross-section 2.5 mm<sup>2</sup>

### Connection 3

Pole number 5

## Physical data

Pin spacing 10 mm / 0.394 inches  
Width 81.6 mm / 3.213 inches  
Height 17 mm / 0.669 inches  
Total length 0.5 m

## Mechanical data

Use DALI, Lighting Management  
Coding I  
Coding 2 A  
Mating force of a plug-in connection approx. 20 ... 70 N (depending on pole number)  
Retention force of a plug-in connection when locked: > 80N  
Unmating force of a plug-in connection when unlocked: approx. 20 ... 70 N (depending on pole number)  
Number of mating cycles 200, without resistive load  
Connection type MIDI plug; MIDI plug - MIDI socket  
Type of pre-assembled cable Y-cable  
Cable type H05Z1Z1-F 2x1.5  
Cable type 2 H05Z1Z1-F 3G2.5  
Protection type IP20; When mated: IP2xC (These compact connectors are not designed for use in open, easily accessible areas!)

### Plug-in connection

Mismating protection	Yes
Note on mismating protection	All WINSTA® components are 100% protected against mismating when: a.) plugging different numbers of poles b.) plugging while rotated 180 c.) plugging while laterally staggered d.) plugging one pole
Locking lever	Can be retrofitted
Locking of plug-in connection	Locking lever
Note on locking system	All connectors for mounted installations (snap-in versions for lighting fixtures or devices, all types of PCB and distribution connectors) are factory-equipped with locking levers to ensure plugs and sockets are securely locked. Additional locking levers are only required for flying leads (plug/socket).

### Material data

Note (material data)	<a href="#">Information on material specifications can be found here</a>
Insulation material (main housing)	Polyamide (PA66)
Flammability class per UL94	V0
Fire class per EN 50575	E <sub>ca</sub>
Contact material	Copper or copper alloy; surface-treated
Contact Plating	Tin
Fire load	29.783 MJ
Connector color	blue
Strain relief color	black
Sheathed cable color	black
Printing color of sheathed cable	white
Sheathed cable color 2	black
Printing color of sheathed cable 2	white
Halogen-free	Yes
Silicon-free	Yes
Sheath material	Halogen-free
Rubber cable	No
Weight	176.8 g
Copper weight of the raw cable	0.072 kg/m

### Environmental requirements

Processing temperature	-5 ... +40 °C
Continuous operating temperature	-35 ... +85 °C
Note on continuous operating temperature	Cable for temperatures ≤ 70 °C (including halogen-free) Insulating parts for temperatures ≤ 105 °C

### Commercial data

PU (SPU)	1 pcs
Packaging type	unpacked
Country of origin	DE
GTIN	4055143262316
Customs tariff number	85444290900

**Product Classification**

UNSPSC	26121629
eCl@ss 10.0	27-44-06-04
eCl@ss 9.0	27-44-06-04
ETIM 9.0	EC002587
ETIM 10.0	EC002587
ECCN	NO US CLASSIFICATION

**Environmental Product Compliance**

RoHS Compliance Status	Compliant, No Exemption
------------------------	-------------------------

**Downloads**

**Environmental Product Compliance**

Compliance Search

Environmental Product Compliance 771-5001/181-000	↓
------------------------------------------------------	---

**Documentation**

Bid Text

771-5001/181-000	19.02.2019	xml 3.10 KB	↓
771-5001/181-000	19.02.2015	doc 25.50 KB	↓

**1 Compatible Products**

**1.1 Optional Accessories**

**1.1.1 Cover**

**1.1.1.1 Cover**



**Item No.: 770-201**  
Lockout cap; 12-pole, separable; for sockets; Plastic; black

**Item No.: 770-221**  
Lockout cap; 12-pole, separable; for sockets; Plastic; white

**Item No.: 770-360**  
Lockout cap; for plugs; 5-pole; separable; yellow

**1.1.2 Locking system**

**1.1.2.1 Locking system**



**Item No.: 770-101**  
Locking lever; for flying leads; for manual operation; black

**Item No.: 770-121**  
Locking lever; for flying leads; for manual operation; white

**Item No.: 770-111**  
Locking lever; for flying leads; for tool operation; black

**Item No.: 770-131**  
Locking lever; for flying leads; for tool operation; white

### 1.1.3 Marking

#### 1.1.3.1 Marker



**Item No.: 770-450/000-006**  
Marker card; Plastic; blue



**Item No.: 770-450/000-001**  
Marker card; Plastic; green



**Item No.: 770-450/000-012**  
Marker card; Plastic; orange



**Item No.: 770-450/000-005**  
Marker card; Plastic; red



**Item No.: 770-450**  
Marker card; Plastic; white



**Item No.: 770-450/000-002**  
Marker card; Plastic; yellow

#### 1.1.3.2 Marking strip



**Item No.: 210-334**  
Marking strips; as a DIN A4 sheet; Strip width 5 mm; Strip length 182 mm; plain; Self-adhesive; white



**Item No.: 210-333**  
Marking strips; as a DIN A4 sheet; Strip width 6 mm; Strip length 182 mm; plain; Self-adhesive; white