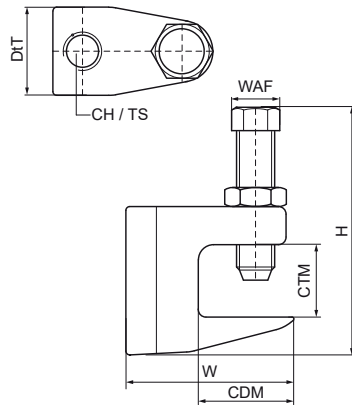
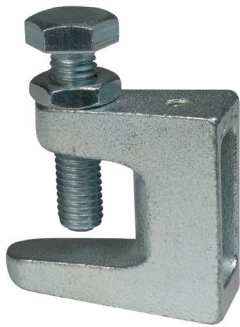


Walraven Beam Clamp Model C

(K2005)

for clamping on beam flange



Features & benefits

- for a solid fixing to steel construction without the need for welding or drilling
- according to VdS-regulations an additional safety strap should be used when supporting pipes above DN65
- bolt with hexagon head according to DIN 933 strength class 8.8, screw point with cup ring according to EN ISO 4753 and lock nut
- material: beam clamp made of cast iron; bolt of hardened steel, nut of steel, zinc plated
- 6003016 and 6003310 with VdS approval - certificate number G 4030026
- FM approval and UL listed for hanger rod sizes M10, M12 and M16
- see also: Walraven Safety Strap (page K 20 06)



Product Number	Maximum Clamping Thickness	Maximum Clamping Depth	Total Height	Total Width	Total Depth	Connection Hole	Thread Size	Width Across Flats	Maximum Allowed Load Faz	Approvals
Reference Letter	CTM	CDM	H	W	DtT	CH	TS	WAF	F _{0,z}	
Unit description	mm	mm	mm	mm	mm	mm		mm	N	
6003006	23	20	62	50	21		M6	17	2,500	ITB (KOT)
6003008	23	20	62	44	21		M8	17	2,500	VdS, ITB (KOT)
6003010	20	20	62	44	21		M10	17	2,500	VdS, FM, UL, ITB (KOT)
6003012	26	22	74	58	24		M12	17	3,500	VdS, FM, UL, ITB (KOT)
6003016	28	23	78	58	30		M16	19	5,500	VdS, FM, UL, ITB (KOT)
6003206	18	18	55	38	21		M6	13	1,200	ITB (KOT)
6003208	18	18	55	38	21		M8	13	1,200	VdS, ITB (KOT)
6003310	28	23	78	58	30		M10	19	2,500	VdS, FM, UL, ITB (KOT)
6003905	18	18	57	38	19	9		13	1,200	VdS, ITB (KOT)
6003908	23	20	62	50	21	9		17	2,500	VdS, ITB (KOT)
6003910	20	20	62	44	21	11		17	2,500	VdS, FM, UL, ITB (KOT)
6003912	26	22	74	58	24	13		17	3,500	VdS, FM, UL, ITB (KOT)
6003906	18	18	57	38	19	7		13	1,200	