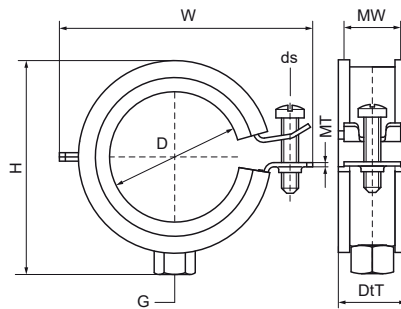


Walraven BISMAT® 2000 (M8) 1-screw

(A0517)

for steel, copper, cast iron and plastic (multilayer) pipe



Features & benefits

- single screw clamp
- with Walraven BISMAT® quick locking system
- material: steel
- zinc plated
- sound insulating lining according DIN 4109
- noise reduction according to ISO 3822-1 up to 23 dB(A)
- tested for fire safety



Product Number	Outside Pipe Diameter	DN	Pipe Diameter Imperial	Connection Thread	Material Width	Material Thickness	Screw Size	Total Height	Total Width	Total Depth	Approvals	Maximum Allowed Load Faz
Reference Letter	D	D	D	G	MW	MT	ds	H	W	DtT		F _{a,z}
Unit description	mm		"		mm	mm		mm	mm	mm		N
3413014	11 - 14	DN 8	1/4	M8	20	1.00	M6	37	47	24	ITB (KOT), CE, ETA, ISO 3822-1, RAL-GZ 655/B, RAL-GZ 656, EPD	600
3413018	15 - 18	DN 10	3/8	M8	20	1.00	M6	38	47	25	RAL-GZ 656, ITB (KOT), CE, ETA, ISO 3822-1, RAL-GZ 655/B, EPD	600
3413023	20 - 23	DN 15	1/2	M8	20	1.00	M6	43	52	25	RAL-GZ 656, ITB (KOT), CE, ETA, ISO 3822-1, RAL-GZ 655/B, EPD	600
3413028	25 - 28	DN 20	3/4	M8	20	1.00	M6	48	57	25	RAL-GZ 656, ITB (KOT), CE, ETA, ISO 3822-1, RAL-GZ 655/B, EPD	600
3413035	31 - 35	DN 25	1	M8	20	1.00	M6	55	64	25	RAL-GZ 656, ITB (KOT), CE, ETA, ISO 3822-1, RAL-GZ 655/B, EPD	600
3413039	36 - 39	-	-	M8	20	1.25	M6	64	72	26	ITB (KOT), CE, ETA, ISO 3822-1, RAL-GZ 655/B, RAL-GZ 656	800
3413043	40 - 43	DN 32	1 1/4	M8	20	1.25	M6	63	72	25	RAL-GZ 656, ITB (KOT), CE, ETA, ISO 3822-1, RAL-GZ 655/B, EPD	800
3413045	44 - 45	-	-	M8	20	1.25	M6	63	72	25	ITB (KOT), CE, ETA, ISO 3822-1, RAL-GZ 655/B, RAL-GZ 656	800
3413053	48 - 51	DN 40	1 1/2	M8	20	1.25	M6	71	80	25	RAL-GZ 656, ITB (KOT), CE, ETA, ISO 3822-1, RAL-GZ 655/B, EPD	800
3413054	53 - 56	-	-	M8	20	1.25	M6	76	85	25	RAL-GZ 656, ITB (KOT), CE, ETA, ISO 3822-1, RAL-GZ 655/B, EPD	800
3413063	59 - 63	DN 50	2	M8	20	1.25	M6	82	91	25	RAL-GZ 656, ITB (KOT), CE, ETA, ISO 3822-1, RAL-GZ 655/B, EPD	800