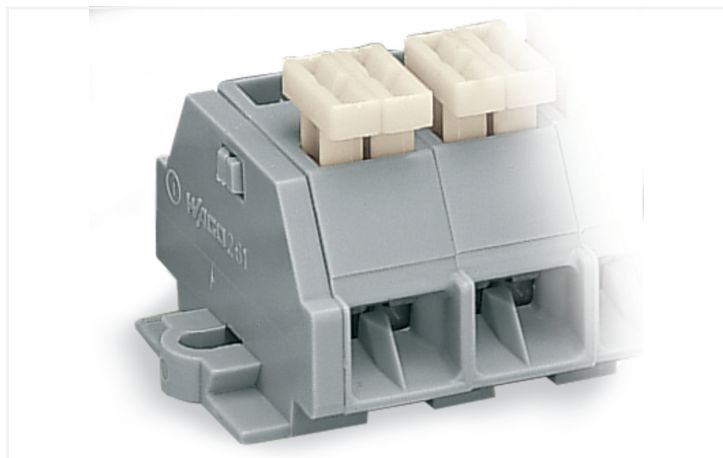


## Data Sheet | Item Number: 261-257/332-000

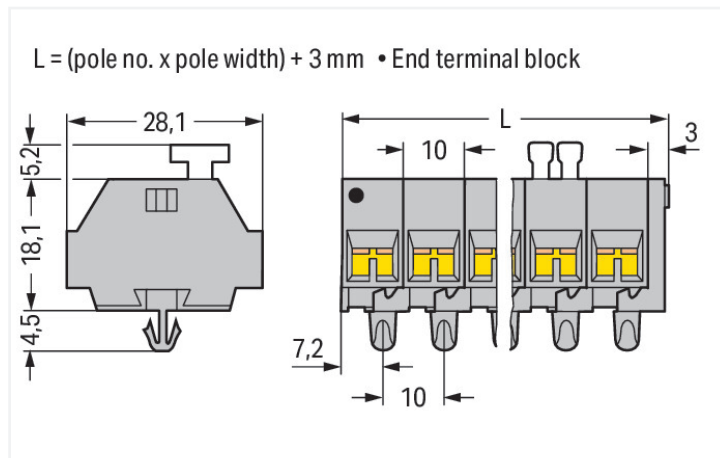
4-conductor terminal strip; on one side with push-buttons; with snap-in mounting feet; 7-pole; for plate thickness 0.6 - 1.2 mm; Fixing hole 3.5 mm Ø; 2.5 mm<sup>2</sup>; CAGE CLAMP®; 2,50 mm<sup>2</sup>; gray

<https://www.wago.com/261-257/332-000>



Color: ■ gray

Similar to illustration



Dimensions in mm

### Through terminal block, 261 Series, CAGE CLAMP®

This through terminal block (item number 261-257/332-000) is designed for easy and secure connections. Strip lengths must be between 8 and 9 mm when connecting conductors to this through terminal block. Our mini rail-mount terminal blocks are perfect for working in tight spaces thanks to their compact design. With various mounting and actuation options, they offer maximum flexibility. Featuring conductor terminals along with CAGE CLAMP®, this connector delivers reliable performance. Our highly-rated and maintenance-free CAGE CLAMP® connection makes it easy to connect all types of conductors without having to prepare the conductor. For example, you don't need to crimp ferrules. Dimensions: (73 x 28 x 27.7) mm (width x height x depth). Depending on the conductor type, this through terminal block is suitable for conductor cross sections ranging from 0.08 mm<sup>2</sup> to 2.5 mm<sup>2</sup>.

This mini rail-mount terminal block is operated with operating tool, push-button.

#### Electrical data

##### Ratings per IEC/EN

|   |   |
|---|---|
| Nominal voltage (III/3)                   | 500 V   |
| Rated impulse withstand voltage (III / 3) | 6 kV  |
| Rated current                             | 24 A  |
| Legend (ratings)                          | (III / 3) ≙ Overvoltage category III / Pollution degree 3 |

##### Approvals per

##### UL 1059

|               |       |       |       |
|---------------|-------|-------|-------|
| Use group     | B     | C     | D     |
| Rated voltage | 300 V | 300 V | 600 V |
| Rated current | 15 A  | 15 A  | 5 A   |

##### Approvals per

##### CSA 22.2 No 158

|               |   |       |       |
|---------------|---|-------|-------|
| Use group     | B | C     | D     |
| Rated voltage | - | 300 V | 600 V |
| Rated current | - | 10 A  | 5 A   |

##### General information

|                  |                   |
|------------------|-------------------|
| Wiring direction | Side-entry wiring |
|------------------|-------------------|

### Connection Data

|                            |    |
|----------------------------|----|
| Clamping units             | 28 |
| Total number of potentials | 7  |
| Number of levels           | 1  |

### Connection 1

|                                 |  |
|---------------------------------|--|
| Connection technology           | CAGE CLAMP®                                  |
| Actuation type                  | Operating tool                               |
| Connectable conductor materials | Copper                                       |
| Solid conductor                 | 0.08 ... 2.5 mm <sup>2</sup> / 28 ... 14 AWG |
| Fine-stranded conductor         | 0.08 ... 2.5 mm <sup>2</sup> / 28 ... 14 AWG |
| Strip length                    | 8 ... 9 mm / 0.31 ... 0.35 inches            |
| Pole number                     | 7  |
| Wiring direction                | Side-entry wiring                            |

### Connection 2

|                |             |
|----------------|-------------|
| Actuation type | Push-button |
|----------------|-------------|

### Physical data

|                         |                        |
|-------------------------|------------------------|
| Width                   | 73 mm / 2.874 inches   |
| Height                  | 28 mm / 1.102 inches   |
| Height from the surface | 23.3 mm / 0.917 inches |
| Depth                   | 27.7 mm / 1.091 inches |
| Module width            | 10 mm / 0.394 inches   |

### Mechanical data

|               |                 |
|---------------|-----------------|
| Design        | horizontal type |
| Mounting type | Snap-in foot    |
| Marking level | Side marking    |

### Material data

|                                    |  |
|------------------------------------|--|
| Note (material data)               | <a href="#">Information on material specifications can be found here</a> |
| Color                              | gray   |
| Material group                     | I  |
| Insulation material (main housing) | Polyamide (PA66)   |
| Flammability class per UL94        | V0   |
| Fire load                          | 0.616 MJ   |
| Halogen-free                       | Yes  |
| Weight                             | 29.9 g   |

### Commercial data

|                       |               |
|-----------------------|---------------|
| PU (SPU)              | 50 pcs        |
| Packaging type        | Box           |
| Country of origin     | DE            |
| GTIN                  | 4055143410373 |
| Customs tariff number | 85369010000   |

**Product Classification**

|             |                      |
|-------------|----------------------|
| UNSPSC      | 39121410             |
| eCl@ss 10.0 | 27-14-11-06          |
| eCl@ss 9.0  | 27-14-11-06          |
| ETIM 9.0    | EC001284             |
| ETIM 10.0   | EC001284             |
| ECCN        | NO US CLASSIFICATION |

**Environmental Product Compliance**

|                        |                         |
|------------------------|-------------------------|
| RoHS Compliance Status | Compliant, No Exemption |
|------------------------|-------------------------|

**Approvals / Certificates**

| General approvals                     |          |                  | Declarations of conformity and manufacturer's declarations |          |                  |
|---------------------------------------|----------|------------------|--|----------|------------------|
|                                       |          |                  |  |          |                  |
| Approval                              | Standard | Certificate Name | Approval   | Standard | Certificate Name |
| CCA<br>DEKRA Certification B.V.       | EN 60998 | NTR-NL 6509      | EU-Declaration of Confor-<br>mity<br>WAGO GmbH & Co. KG    | -        | -                |
| KEMA/KEUR<br>DEKRA Certification B.V. | EN 60998 | 2110272.02       | UK-Declaration of Confor-<br>mity<br>WAGO GmbH & Co. KG    | -        | -                |

**Approvals for marine applications**

| Approval                                    | Standard | Certificate Name |
|---|----------|------------------|
| <br>ABS<br>American Bureau of Ship-<br>ping | -        | 24-0095979-PDA   |

**Downloads**

**Environmental Product Compliance**

| Compliance Search                                   |   |
|---|---|
| Environmental Product Compliance<br>261-257/332-000 | ↓ |

**Documentation**

| Bid Text        |            |                 |   |
|-----------------|------------|-----------------|---|
| 261-257/332-000 | 19.02.2019 | xml<br>3.15 KB  | ↓ |
| 261-257/332-000 | 17.08.2017 | doc<br>25.50 KB | ↓ |

CAD/CAE-Data

| CAD data                        | CAE data                             |
|---------------------------------|--------------------------------------|
| 2D/3D Models<br>261-257/332-000 | EPLAN Data Portal<br>261-257/332-000 |
|                                 | WSCAD Universe<br>261-257/332-000    |
|                                 | ZUKEN Portal<br>261-257/332-000      |

1 Compatible Products

1.1 Optional Accessories

1.1.1 DIN-rail

1.1.1.1 Mounting accessories



**Item No.: 210-154**  
 Aluminum carrier rail; 1000 mm long; 18 mm wide; 7 mm high; silver-colored

1.1.2 Ferrule

1.1.2.1 Ferrule



**Item No.: 216-301**  
 Ferrule; Sleeve for 0.25 mm<sup>2</sup> / AWG 24; insulated; electro-tin plated; yellow



**Item No.: 216-302**  
 Ferrule; Sleeve for 0.34 mm<sup>2</sup> / 22 AWG; insulated; electro-tin plated; light turquoise



**Item No.: 216-201**  
 Ferrule; Sleeve for 0.5 mm<sup>2</sup> / 20 AWG; insulated; electro-tin plated; electrolytic copper; acc. to DIN 46228, Part 4/09.90; white



**Item No.: 216-101**  
 Ferrule; Sleeve for 0.5 mm<sup>2</sup> / AWG 22; un-insulated; electro-tin plated; silver-colored



**Item No.: 216-202**  
 Ferrule; Sleeve for 0.75 mm<sup>2</sup> / 18 AWG; insulated; electro-tin plated; gray



**Item No.: 216-102**  
 Ferrule; Sleeve for 0.75 mm<sup>2</sup> / AWG 20; un-insulated; electro-tin plated; silver-colored



**Item No.: 216-203**  
 Ferrule; Sleeve for 1 mm<sup>2</sup> / AWG 18; insulated; electro-tin plated; red



**Item No.: 216-103**  
 Ferrule; Sleeve for 1 mm<sup>2</sup> / AWG 18; un-insulated; electro-tin plated



**Item No.: 216-204**  
 Ferrule; Sleeve for 1.5 mm<sup>2</sup> / AWG 16; insulated; electro-tin plated; black



**Item No.: 216-104**  
 Ferrule; Sleeve for 1.5 mm<sup>2</sup> / AWG 16; un-insulated; electro-tin plated; silver-colored



**Item No.: 216-205**  
 Ferrule; Sleeve for 2.08 mm<sup>2</sup> / AWG 14; insulated; electro-tin plated; yellow



**Item No.: 216-206**  
 Ferrule; Sleeve for 2.5 mm<sup>2</sup> / AWG 14; insulated; electro-tin plated; blue



**Item No.: 216-106**  
 Ferrule; Sleeve for 2.5 mm<sup>2</sup> / AWG 14; un-insulated; electro-tin plated; silver-colored

### 1.1.3 Installation

#### 1.1.3.1 Mounting accessories



**Item No.: 209-137**

Mounting adapter; can be used as end stop; 6.5 mm wide; gray

**Item No.: 209-120**

Mounting foot; can be snapped on terminal blocks with snap-in mounting foot; for mounting on relay-modules; 6.4 mm wide; gray

### 1.1.4 Jumper

#### 1.1.4.1 Jumper



**Item No.: 261-402**

Jumper; for conductor entry; 2-way; insulated; gray

### 1.1.5 Marking

#### 1.1.5.1 Marking strip



**Item No.: 210-833**

Marking strips; 25 m on roll; 6 mm wide; plain; Self-adhesive; white

### 1.1.6 Tool

#### 1.1.6.1 Operating tool



**Item No.: 210-658**

Operating tool; Blade: 3.5 x 0.5 mm; with a partially insulated shaft; angled; short; multicoloured

**Item No.: 210-720**

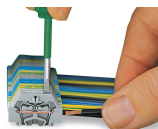
Operating tool; Blade: 3.5 x 0.5 mm; with a partially insulated shaft; multicoloured

**Item No.: 210-657**

Operating tool; Blade: 3.5 x 0.5 mm; with a partially insulated shaft; short; multicoloured

## Installation Notes

### Conductor termination



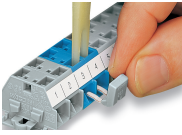
**CAGE CLAMP® connection**

Inserting a conductor.  
With ferruled conductors, it is necessary to use a terminal block one size larger than the conductor's nominal cross-section.

**CAGE CLAMP® connection**

Inserting a conductor via push-button.

## Commoning



Commoning with comb-style jumper bar.

## Installation



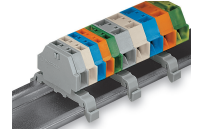
Mounting a terminal strip with snap-in feet into holes.



Mounting a terminal strip with snap-in feet onto aluminum rail.



Terminal strip with snap-in mounting feet  
Snapping a mounting foot (209-120).  
(Distance between mounting feet: approx. 25 ... 30 mm)



Terminal strip; with snap-in mounting feet; for DIN-35 rail



Terminal strip with snap-in mounting feet, for 0.6 ... 1.2 mm plate thickness, 3.5 mm mounting hole diameter (also for 210-154 Aluminum Rail or with 209-120 Mounting Foot for DIN-35 rail)

## Marking



Marking with self-adhesive marking strips.



Marking by direct printing (upon request).