

Light control

Motion detector



talis M 180 A



talis M 360 A



talis M 360 E / talis M 360 E 2CH



talis 360 E mini



talis MC 360 A (Hallway)



talis MC 360 E (Hallway)

Description

talis M 180 A

- Motion detector (PIR) for wall mounting outdoors
- Semi-circular detection area 180°, Ø 10 m at 2.5 m mounting height
- Switching output 1 channel light relay 230 V
- Brightness switching value and follow-up time adjustable on the outdoor detector
- Mixed light measurement
- One-handed socket mounting
- Immediate commissioning possible through presetting

talis M 360 A

- Motion detector (PIR) for surface-mounted ceiling installation indoors
- Round detection area 360°, Ø 8 m, (50 m²) at 2.5 m mounting height
- 1 channel light (relay 230 V)
- Automatic motion- and brightness-dependent control for lighting
- Mixed light measurement
- Operation as fully automatic
- Brightness switching value adjustable via potentiometer
- Follow-up time adjustable via potentiometer
- Immediately ready for operation due to factory presetting (brightness switching value 100 lux, follow-up time 2 min.)

talis M 360 E like talis M 360 A but:

- Motion detector (PIR) for flush-mounted ceiling installation indoors

talis M 360 E 2CH like talis M 360 E but:

- 1 channel light (relay 230 V) and 1 channel presence (potential-free relay for HVAC control)
- Automatic motion- and brightness-dependent control for lighting and HVAC
- Immediately ready for operation due to factory presetting (brightness switching value 100 lux, follow-up time light 2 min., follow-up time HVAC 10 min)

talis M 360 E mini

- Motion detector (PIR) for flush-mounted ceiling installation indoors
- Round detection area 360°, Ø 6 m, (28 m²) at 2.5 m mounting height
- 1 channel light (relay 230 V)
- Automatic motion- and brightness-dependent control for lighting
- Mixed light measurement
- Operation as fully automatic
- Brightness switching value adjustable via potentiometer
- Follow-up time adjustable via potentiometer
- Immediately ready for operation due to factory presetting (brightness switching value 100 lux, follow-up time 2 min.)

talis MC 360 A (Hallway)

- Motion detector (PIR) for surface-mounted ceiling installation indoors
- Rectangular detection area 360°, 25 x 3 m, (75 m²) at 2.5 m mounting height
- 1 channel light (relay 230 V)
- Automatic motion- and brightness-dependent control for lighting
- Mixed light measurement
- Operation as fully automatic
- Brightness switching value adjustable via potentiometer
- Follow-up time adjustable via potentiometer
- Immediately ready for operation due to factory presetting (brightness switching value 100 lux, follow-up time 2 min.)

talis MC 360 E like talis MC 360 A but:

- Motion detector (PIR) for flush-mounted ceiling installation indoors

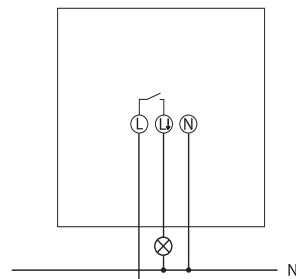
Product selection

Mounting type	Mounting height	Detection area transverse	Switching output	Type	Item no.
Wall mounting, outdoor		Semi-circular	Light	talis M 180 A	18.06.0030.1
Ceiling mounting, indoor	2 - 3 m	50 m² (Ø 8 m 360°)	Light	talis M 360 A	18.06.0033.1
Ceiling flush-mounting, indoor	2 - 3 m	50 m² (Ø 8 m 360°)	Light	talis M 360 E	18.06.0031.1
Ceiling flush-mounting, indoor	2 - 3 m	50 m² (Ø 8 m 360°)	Light Presence	talis M 360 E 2CH	18.06.0034.1
Ceiling flush-mounting, indoor	2 - 3 m	28 m² (Ø 6 m 360°)	Light	talis M 360 E mini	18.06.0032.1
Ceiling mounting, indoor	2 - 3,5 m	75 m² (25 x 3 m 360°)	Light	talis MC 360 A	18.06.0036.1
Ceiling flush-mounting, indoor	2 - 3,5 m	75 m² (25 x 3 m 360°)	Light	talis MC 360 E	18.06.0035.1

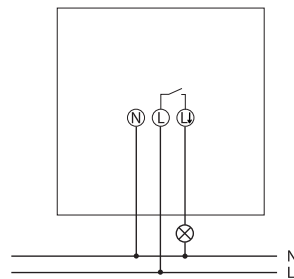
Technical data

	talis M 180 A	talis M 360 A	talis M 360 E 2CH	talis M 360 E	talis M 360 E mini	talis MC 360 A	talis MC 360 E
Operating voltage	230 V AC	230 V AC	230 V AC	230 V AC	230 V AC	230 V AC	230 V AC
Frequency	50 Hz	50 Hz	50 Hz	50 Hz	50 Hz	50 Hz	50 Hz
Adjustment range brightness	5-1000 lx	5-1000 lx	5-1000 lx	5-1000 lx	5-1000 lx	5-1000 lx	5-1000 lx
Angle of coverage	180°	360°	360°	360°	360°	360°	360°
Follow-up time light	5 s–15 min	5 s–15 min	5 s–15 min	5 s–15 min	5 s–15 min	5 s-15 min	5 s-15 min
LED lamp	200 W	200 W	200 W	200 W	200 W	200 W	200 W
Incandescent/halogen lamp load	1000 W	1000 W	1000 W	1000 W	1000 W	1000 W	1000 W
Ambient temperature	-20 °C ... +40 °C	-5 °C ... +40 °C	-5 °C ... +40 °C	-5 °C ... +40 °C	-5 °C ... +40 °C	-5 °C ... +40 °C	-5 °C ... +40 °C
Protection class	II	II	II	II	II	II	II
Protection class	IP 55	IP 21	IP 21	IP 21	IP 21	IP 21	IP 21

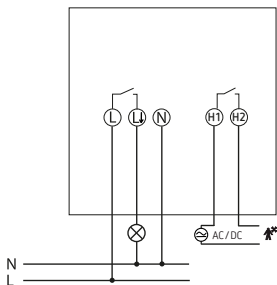
Connection examples



talis M 360 E, talis MC 360 E,
talis M 180 A

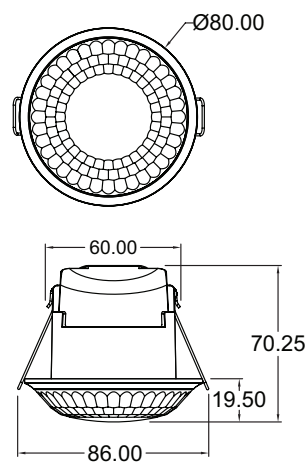


talis M 360 E mini, talis M 360 A,
talis MC 360 A

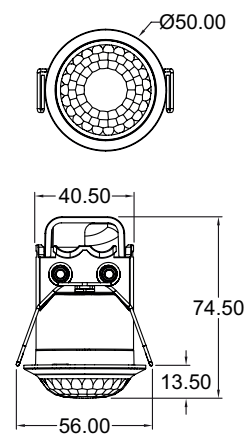


talis M 360 E 2CH

Dimension drawings

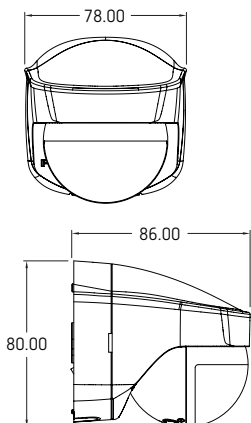


talis M 360 E, talis M 360 E 2CH

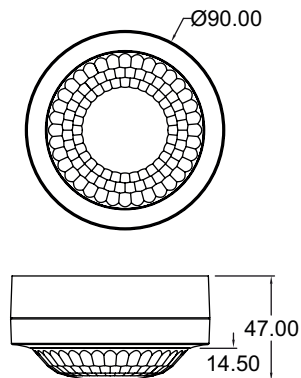


talis M 360 E mini

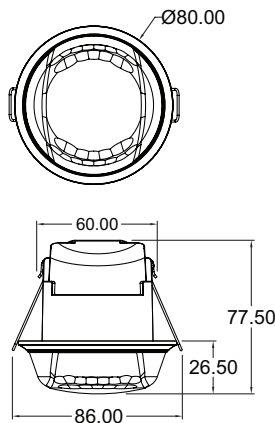
Dimension drawings



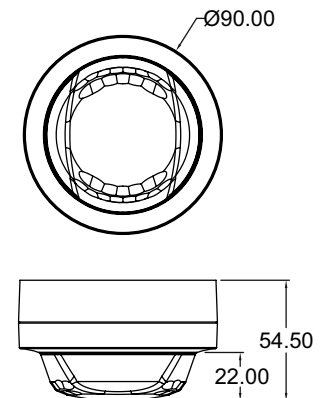
talis M 180 A



talis M 360 A



talis MC 360 E



talis MC 360 A