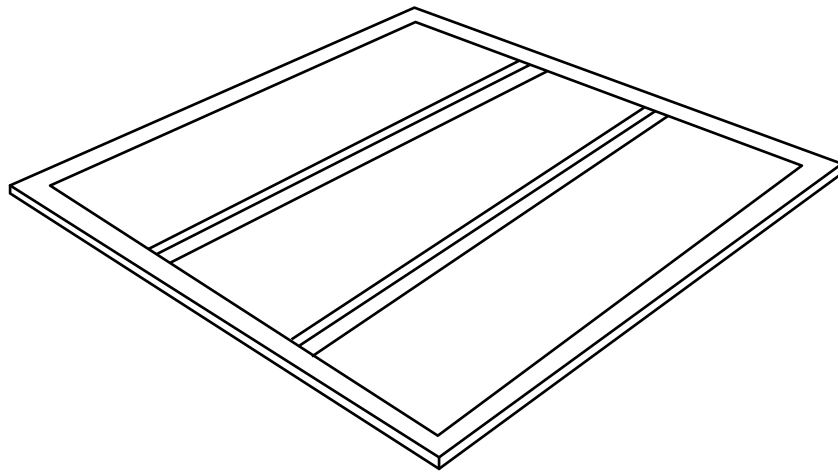




Read these instructions & save for future use

Panel | butterfly | 60*60 | tri-white | UGR<19 | triac



Article number **174-275**

Brand **Tronix Lighting**

Type **LED panels | 60x60**

Contents of this product **1x LED panel**

Technical datasheet **Digitally available
on our webshop**



*View instructions and
technical data also on
our website*

TRONIX



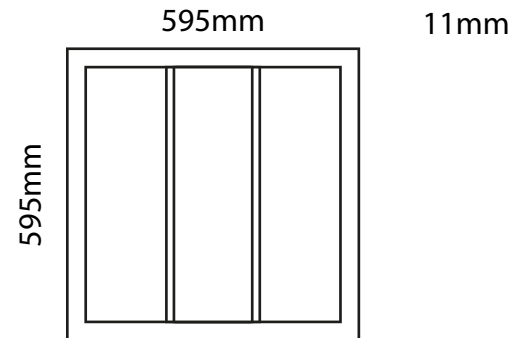
Before first use

Before getting started with this product, it is advisable to check the order completeness and any damage. If this is the case, please contact Tronix Lighting.

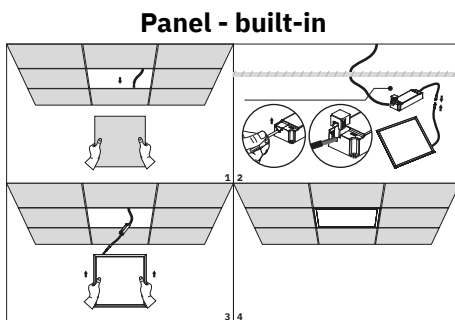
Description

This LED panel is ideal for placement within (system) ceilings of 60x60cm. The uniform, soft and flicker-free light makes this panel extremely well suited for use in the office or in a store, but also as interior lighting for schools, for example.

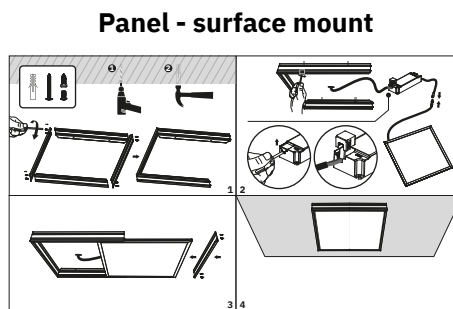
In addition, this panel has a long life, which is made possible by the strong heat regulation and absence of a diffuser for higher luminous flux efficiency.



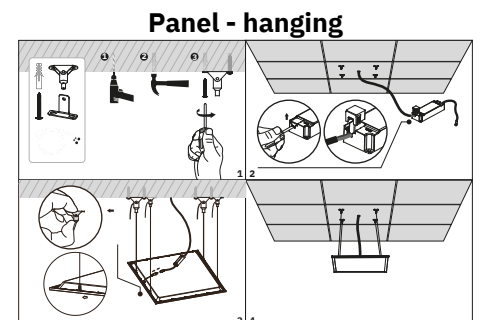
Installation



1. Remove the product from the packaging and turn off the power. Then remove the ceiling plate.
2. Attach the driver to the 220V jack and attach it to the panel;
3. Insert the panel into the ceiling.
4. Check the wiring and position of the panel. Turn the power back on.



1. Remove the product from the packaging and turn off the power. Then assemble the surface-mounted edge.
2. Attach the surface-mounted edge to the ceiling and place the driver at the 220V connection and attach it to the panel;
3. Insert the panel into the surface-mount edge and finish;
4. Check the wiring and position of the panel. Turn the power back on.



1. Remove the product from the packaging and turn off the power. Then mount the suspension brackets on the ceiling.
2. Attach the driver to the 220V connection;
3. Attach the panel to the cables and connect the driver;
4. Check the wiring and position of the panel. Turn the power back on.



Safety

Safety is a top priority at Tronix Lighting. Therefore, we heartily recommend that you follow the following steps closely:

- Keep this manual carefully for future reference;
- Choose a qualified electrician while installing, maintaining or inspecting this product;
- Never look directly into a light source to avoid possible eye damage;
- Ensure that the respective power group is always on non-active when the product is connected;
- Use only recommended combinations (LED drivers, controllers or dimmers) to avoid injury or damage to the product;
- The light source of this spotlight is not replaceable. Because of this, you must replace the entire fixture towards the end of its lifespan and it is not recommended to open it;
- Place this LED panel indoors only at a standard room temperature (~25°C).

Technical problems and repair

Should a product not work properly after installation, or if the product exhibits problems over time, it is advisable to check the following elements:

- Check the wiring and installation of your product;
- Check for the presence of interfering elements such as dust, water or other electronics;
- If possible, try disconnecting the product and testing it in another location to rule out a problem at the location;
- Should you be dealing with a WIFI-based product, check and reset your router's settings.

Should the product still not work after testing, it is recommended to send it in for inspection and/or repair. To do so, please contact Tronix Lighting using nearby details and proof of purchase (packing slip).



CARE



SHARE



CONNECT

Supplier:

Tronix Lighting B.V

Vluchtoord 41
5406 XP Uden, Netherlands

+31 (0)413 330 380
sales@tronixlighting.com

Terms and symbols (as relevant to product)



The **CE mark** indicates that this product complies with EU regulations on safety, health and environmental protection;



The **WEEE symbol** stands for "Waste Electrical and Electronic Equipment Regulation," a directive on the collection, recycling and recovery of electronic waste;



The **Class II symbol** indicates that this product is double insulated;

- The product is rated **IP20**. This means that the product is resistant to the penetration of solid objects >12.5 mm and is not resistant to water or moisture.