

Panel mounted receptacle

Part number: 1168



MENNEKES
Elektrotechnik GmbH & Co. KG

Aloys-Mennekes-Straße 1
57399 Kirchhundem
GERMANY

www.MENNEKES.org

Product Description

- screwless, with insulation displacement technology TwinCONTACT
- 20° inclination
- suitable for through wiring
- receptacle is designed for adding an auxiliary contact switch

Technical Details

Panel mounted receptacle	1168
Ampere	16A
Number of poles	3p
Clock position	6h
Nominal voltage AC	230V
Nominal frequency	50 - 60 Hz
Protection type IP	IP67
Contact carrier	standard
X-CONTACT	no
Connection	insulation displacement technology - TwinCONTACT
Pilot contact	without pilot contact
Pilot contact switch	no
Flange dimensions	85 x 85 mm
Hole spacings	70 x 70 mm
Insertion direction	angled
Inclination	20°
Highly resistant to chemicals	no
Military version	no
Strip length flexible conductor	12 mm
Strip length solid conductor	12 mm
Conductor cross-section min.	1.5 mm ²
Conductor cross-section max.	4 mm ²
Weight (net)	120 g
Packaging unit	10 pcs
Quantity per pallet	880 pcs

Panel mounted receptacle	1168
EAN / identification number	4015394221487

Permissible ambient conditions		
	Min.	Max.
Permissible ambient temperature	-25 °C	40 °C
Average temperature over 24 hours		35 °C

Material properties	
Housing	PA6 light grey [similar RAL 7035]
Hinged lid	PA6 blue [similar RAL 5007]
	TPE black [similar RAL 9005]
	PBT/PC squirrel grey [similar RAL 7000]

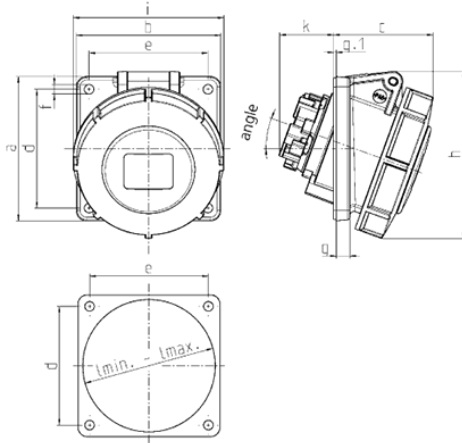
Material resistance

The material resistance overview can be found on the website in the section “Knowledge” - “Product knowledge” - “Materials”.

Material and environmental properties	
RoHS 2011/65/EU incl. 2015/863/EU	✓
POP regulation (EU) 2019/1021	✓
Halogen-free	no

Regulations and Standards	
Norm	DIN EN IEC 60309-2
Declaration of Conformity	CE
Test label	CB Zertifikat, VDE, EAC, CQC

Dimensional Drawing



Drawing	Amp.	16			32		
		Poles			Poles		
1 MB 520		3	4	5	3	4	5
Dim. in mm	a	85	85	85	85	85	85
	b	85	85	85	85	85	85
	c	56	59	59	64	64	71
	d	70	70	70	70	70	70
	e	70	70	70	70	70	70
	f	5.5	5.5	5.5	5.5	5.5	5.5
	g	8	8	8	8	8	8
	g.1	2	2	2	2	2	2
	h	87	91	99	103	103	110
	i	78	85	89	103	103	106
	k	32	32	33	44	44	49
	l min.	57	64	70	78	78	78
	l max.	76	76	76	78	78	78
	Terminal for cond. cross section (mm ²) min.-max.	1.5	1.5	1.5	2.5	2.5	2.5
		-4	-4	-4	-6	-6	-6