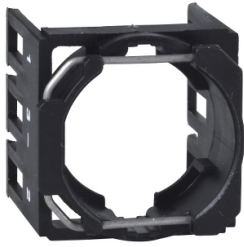


Productinformatieblad

Specificaties



Harmony XB6 - Beugel met bevestigingsschroeven

ZB6Y011

EAN Code: 3389110767933

Prijs: 2,56 EUR

Hoofd

range of product	Harmony XB6
omschrijving toebehoren	Behuizingsbeugel met schroeven
type toebehoren	Kraag
product or component type	Behuizingsbeugel
categorie toebehoren	Montage- en bevestigingstoebereiden
bestemming toebehoren	Printplaat
Quantity per set	Set van 4

Complementair

net weight	0,01 kg
------------	---------

Verpakkingseenheid

Unit Type of Package 1	PCE
Number of Units in Package 1	1
Package 1 Height	1,800 cm
Package 1 Width	2,200 cm
Package 1 Length	2,200 cm
Package 1 Weight	4,000 g
Unit Type of Package 2	BB1
Number of Units in Package 2	4
Package 2 Height	2,800 cm
Package 2 Width	3,600 cm
Package 2 Length	13,700 cm
Package 2 Weight	20,000 g

contractuele waarborg

Garantie	18 months
----------	-----------

De weergegeven prijs is de adviesprijs in euro excl. BTW. Deze kan onderhevig zijn aan korting. Neem contact op met uw lokale distributeur of detailhandel voor de daadwerkelijke prijs

Environmental Data

Schneider Electric wil tegen 2050 de Net Zero-status hebben bereikt via partnerschappen in de toeleveringsketen, materialen met een lagere impact en circulariteit via onze doorlopende campagne "Use Better, Use Longer, Use Again" om de levensduur van producten en de recycleerbaarheid te verlengen.

[Uitleg van Environmental Data](#) >

[Hoe evalueren we de duurzaamheid van producten?](#) >

Milieuoetafdruk

Totale levenscyclus ecologische voetafdruk	1
--------------------------------------------	---

Use Better

Materialen en verpakking

Pakket met gerecycleerd karton	Ja
--------------------------------	----

Verpakkingen zonder kunststof	Nee
-------------------------------	-----

[EU-richtlijn RoHS](#)

Voldoet pro-actief (Product valt niet onder de EU RoHS juridische scope)

Use Again

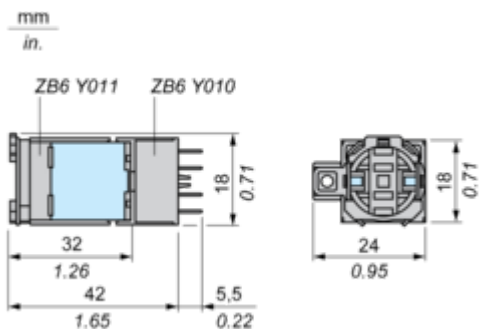
Herverpakken en herfabriceren

Terugname	No
-----------	----

Dimensions Drawings

Plug-In Socket Adaptor for Printed Circuit Board Mounting and Body Bracket

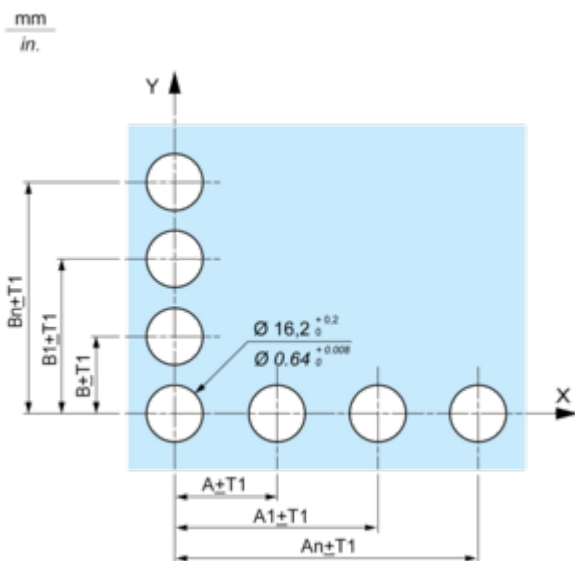
Dimensions



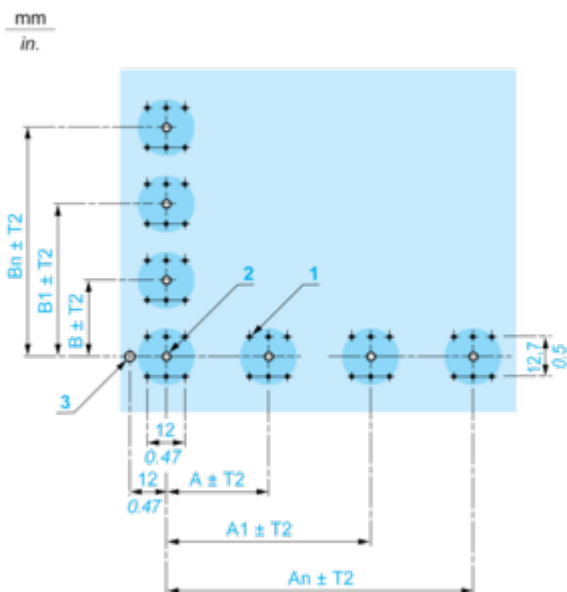
Mounting and Clearance

Pushbuttons, Switches and Pilot Lights for Printed Circuit Board Connection

Front Panel Cut-out (Viewed from Installer's Side)



Printed Circuit Board Drillings (Viewed from Electrical Block Side)



A 24 mm/0.94 in. minimum for rectangular heads, 18 mm/0.71 in. minimum for square or circular heads

B 18 mm/0.71 in. minimum

(1) 6 x Ø 1.1 mm / 6 x Ø 0.04 in. holes.

(2) 1 x Ø 2.6⁰_{-0.2} mm / 1 x Ø 0.10⁰_{-0.008} in. hole for locating pin, only when using socket adaptor ZB6Y010.

(3) 1 x Ø 3.2⁰_{-0.2} mm / 1 x Ø 0.13⁰_{-0.008} in. hole for fixing of printed circuit board onto the front panel using body bracket ZB6Y011. This hole must be drilled on the left-hand side, when heads are positioned at the normal angle. Fit a body bracket ZB6Y011 every 72 mm/2.83 in. maximum for cut-outs on 24 mm/0.94 in. centres (rectangular heads) and 54 mm/2.13 in. maximum for cut-outs on 18 mm/0.71 in. centres (square or circular heads).

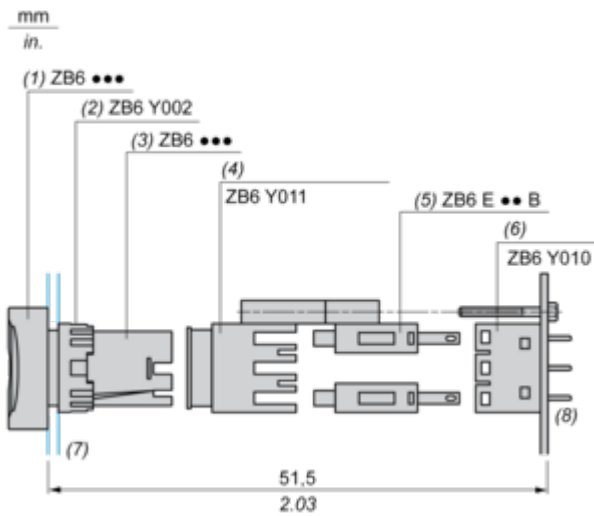
General tolerances of the panel and printed circuit board: T1, T2: T1 + T2 = 0.3 mm/0.01 in. maximum.

Installation precautions:

Thickness of printed circuit board: 1.6 mm/0.06 in. minimum.

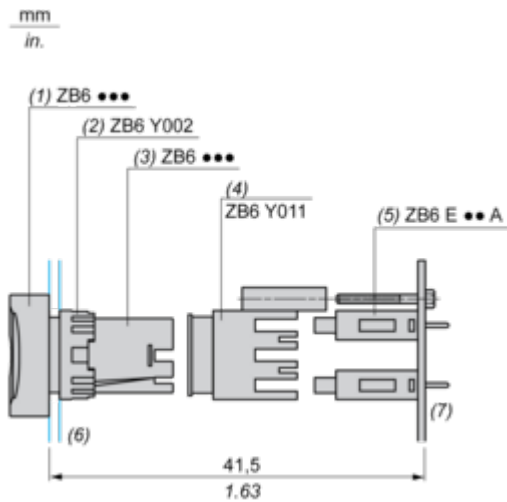
Mounting with Body Bracket

With socket adaptor ZB6Y010



- (1) Head
- (2) Nut
- (3) Body
- (4) Body bracket
- (5) Contact block
- (6) Socket adaptor
- (7) Panel
- (8) Printed circuit

Direct mounting without socket adaptor ZB6Y010



- (1) Head
- (2) Nut
- (3) Body
- (4) Body bracket
- (5) Contact block
- (6) Panel
- (7) Printed circuit

Technical Illustration

Dimensions

mm
in.

