

# Panel mounted receptacle

Part number: 206A



**MENNEKES**  
Elektrotechnik GmbH & Co. KG

Aloys-Mennekes-Straße 1  
57399 Kirchhundem  
GERMANY

[www.MENNEKES.org](http://www.MENNEKES.org)

## Product Description

- frame terminals
- X-CONTACT
- 20° inclination
- rubberised bayonet ring

## Technical Details

| Panel mounted receptacle              | 206A                  |
|---------------------------------------|-----------------------|
| Ampere                                | 63A                   |
| Number of poles                       | 4p                    |
| Clock position                        | 7h                    |
| Nominal voltage AC                    | 500V                  |
| Nominal frequency                     | 50 - 60 Hz            |
| Protection type IP                    | IP67                  |
| Contact carrier                       | standard              |
| X-CONTACT                             | yes                   |
| Connection                            | frame terminals       |
| Contact screw drive                   | PZ2, slot             |
| Pilot contact                         | without pilot contact |
| Pilot contact switch                  | no                    |
| Flange dimensions                     | 110 x 106 mm          |
| Hole spacings                         | 85 x 77 mm            |
| Insertion direction                   | angled                |
| Inclination                           | 20°                   |
| Highly resistant to chemicals         | no                    |
| Military version                      | no                    |
| Tightening torque connection terminal | 2 Nm                  |
| Conductor cross-section min.          | 6 mm <sup>2</sup>     |
| Conductor cross-section max.          | 25 mm <sup>2</sup>    |
| Weight (net)                          | 207 g                 |
| Packaging unit                        | 5 pcs                 |
| Quantity per pallet                   | 330 pcs               |

|                             |               |
|-----------------------------|---------------|
| Panel mounted receptacle    | 206A          |
| EAN / identification number | 4015394000853 |

| Permissible ambient conditions    |        |       |
|-----------------------------------|--------|-------|
|                                   | Min.   | Max.  |
| Permissible ambient temperature   | -25 °C | 40 °C |
| Average temperature over 24 hours |        | 35 °C |

| Material properties |   |
|---------------------|---|
| Housing             | PC light grey [similar RAL 7035]        |
| Hinged lid          | PBT/PC black [similar RAL 9005]         |
|                     | TPE black [similar RAL 9005]            |
|                     | PBT/PC squirrel grey [similar RAL 7000] |
|                     | TPE anthracite [similar RAL 7016]       |

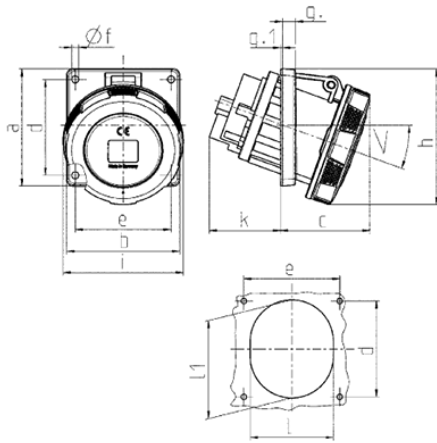
**Material resistance**

The material resistance overview can be found on the website in the section “Knowledge” - “Product knowledge” - “Materials”.

| Material and environmental properties |    |
|---------------------------------------|----|
| RoHS 2011/65/EU incl. 2015/863/EU     | ✓  |
| POP regulation (EU) 2019/1021         | ✓  |
| Halogen-free                          | no |

| Regulations and Standards |                              |
|---------------------------|------------------------------|
| Norm                      | DIN EN IEC 60309-2           |
| Declaration of Conformity | CE                           |
| Test label                | CB Zertifikat, VDE, EAC, CQC |

# Dimensional Drawing



| 1 MB 298<br>1 MB 601<br>Dim. in mm                            | Amp.<br>Poles | 63       |          |          | 125      |          |          |
|---|---------------|----------|----------|----------|----------|----------|----------|
|   |               | 3        | 4        | 5        | 3        | 4        | 5        |
| a   |               | 110      | 110      | 110      | 114      | 114      | 114      |
| b   |               | 106      | 106      | 106      | 110      | 110      | 110      |
| c   |               | 85       | 85       | 85       | 75       | 75       | 75       |
| d   |               | 85       | 85       | 85       | 90       | 90       | 90       |
| e   |               | 77       | 77       | 77       | 90       | 90       | 90       |
| f   |               | 6.2      | 6.2      | 6.2      | 6.2      | 6.2      | 6.2      |
| g.  |               | 12       | 12       | 12       | 13       | 13       | 13       |
| g.1   |               | 2        | 2        | 2        | 2        | 2        | 2        |
| h   |               | 128      | 128      | 128      | 133      | 133      | 133      |
| i   |               | 113      | 113      | 113      | 126      | 126      | 126      |
| k   |               | 67       | 67       | 67       | 103      | 103      | 103      |
| l   |               | 92       | 92       | 92       | 94       | 94       | 94       |
| l1  |               | 98       | 98       | 98       | 107      | 107      | 107      |
| <   |               | 20°      | 20°      | 20°      | 15°      | 15°      | 15°      |
| Terminal for cond. cross section (mm <sup>2</sup> ) min.-max. |               | 6<br>-25 | 6<br>-25 | 6<br>-25 | 25<br>70 | 25<br>70 | 25<br>70 |