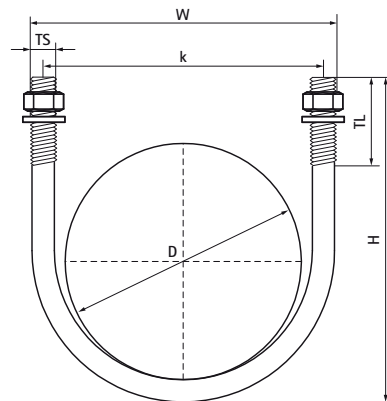


Walraven U-Bolt Clamp

(B1025)

for steel pipes



Features & benefits

- U-Bolt with thread
- including nuts and washers
- material: steel
- zinc plated

Product Number	VVS Number	Pipe Diameter Imperial	DN	Thread Size	Thread Length	Total Height	Total Width	Total Depth	Heart To Heart Distance
<i>Reference letter</i>		<i>D</i>	<i>D</i>	<i>TS</i>		<i>H</i>	<i>W</i>	<i>DtT</i>	<i>k</i>
<i>Unit description</i>		"			<i>mm</i>	<i>mm</i>	<i>mm</i>	<i>mm</i>	<i>mm</i>
2084306017		3/8	DN 10	M6	19	42	30	10	24
2084306021		1/2	DN 15	M6	25	48	36	10	30
2084306027		3/4	DN 20	M6	30	63	45	10	35
2084306034		1	DN 25	M6	30	71	48	10	42
2084308027		3/4	DN 20	M8	30	63	43	13	35
2084308034		1	DN 25	M8	30	71	50	13	42
2084308042		1 1/4	DN 32	M8	30	79	59	13	51
2084308049	018023023	1 1/2	DN 40	M8	30	80	65	13	57
2084308060	018023060	2	DN 50	M8	30	92	77	13	69
2084308076		2 1/2	DN 65	M8	30	108	93	13	85
2084310090		3	DN 80	M10	40	131	109	17	99
2084310114	018023114	4	DN 100	M10	50	167	137	17	127
2084310140		5	DN 125	M10	55	188	162	17	152
2084310168		6	DN 150	M10	55	215	188	17	178
2084310220		8	DN 200	M10	55	268	246	17	236
2084312140		5	DN 125	M12	50	191	164	19	152
2084314168		6	DN 150	M14	50	220	194	21	178
2084316219		8	DN 200	M16	60	282	252	24	236
2084316273		10	DN 250	M16	60	335	206	24	287