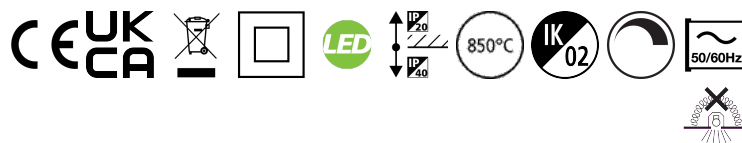


# Concord

## Solstice 200 2100lm 940 DALI Sandblast 2070417



### Features

- Solstice 200 2100lm 940 DALI Sandblast is an efficient DALI dimmable downlight luminaire, Colour rendering index Ra>90, Colour temperature: 4000K Neutral White, Class II, Protection rating IP40/IP20, Cut out dimensions: 150mm.

### Product Overview

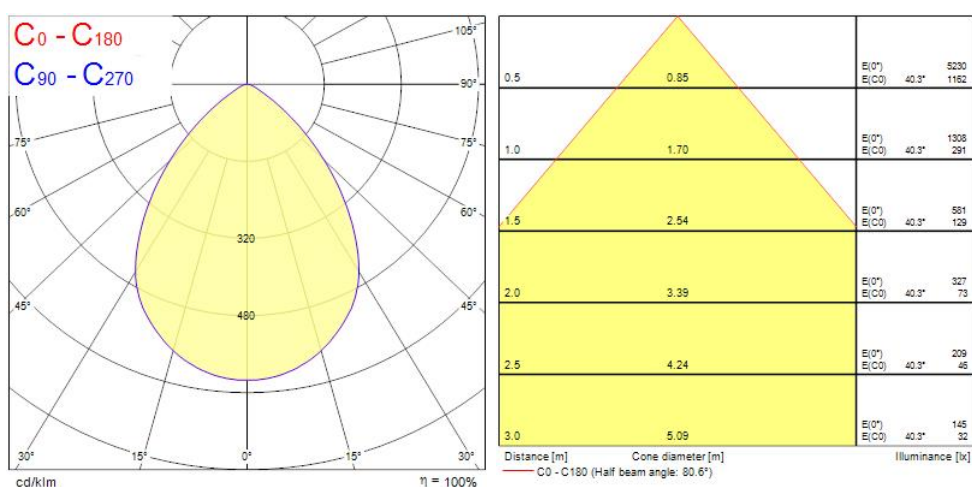
Product name	Solstice 200 2100lm 940 DALI Sandblast
Technology	LED
Cap/Base	N/A
Housing	Aluminium
Mount	Ceiling recessed mounting
Fixture luminous flux (lm)	2100
Luminaire efficacy (lm/W)	141
LOR (%)	124
Colour temperature (K)	4000
Light colour	Neutral White
CRI (Ra)	90
Colour Consistency (SDCM)	3
Colour Variation Initial (SDCM)	3
Glare control	< 19
Photobiological Risk Group	RG1
Total power consumption (W)	17
Electrical protection	Class II
Control gear type	LED driver constant current
LED Flickering Rate	Ultra low (5% or less)

# Concord

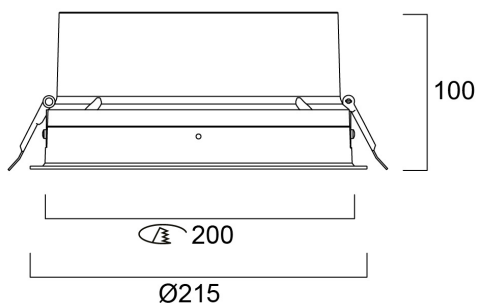
## Solstice 200 2100lm 940 DALI Sandblast 2070417

Housing colour	RAL 9016 - Traffic white / Bezel
IP rating	IP40/20
IK rating	IK02
Product EAN number	5025768704170
Warranty	5 years
Useful luminous flux (#use)	2100

### Photometry



### Technical drawings



# Concord

## Solstice 200 2100lm 940 DALI Sandblast 2070417

### Data table

#### GENERAL DATA

Product name	Solstice 200 2100lm 940 DALI Sandblast
Technology	LED
Cap/Base	N/A
Housing	Aluminium
Mount	Ceiling recessed mounting
Operating temperature range (°C)	-10°C...+40°C
Performance ambient temperature Tq (°C)	40
Warranty	5 years

#### OPTICAL DATA

Useful luminous flux (#use)	2100
Fixture luminous flux (lm)	2100
Luminaire efficacy (lm/W)	141
LOR (%)	124
Colour temperature (K)	4000
Light colour	Neutral White
CRI (Ra)	90
Colour Consistency (SDCM)	3
Colour Variation Initial (SDCM)	3
Glare control	< 19
Photobiological Risk Group	RG1

#### ELECTRICAL DATA

Total power consumption (W)	17
Current (A)	450
Primary Supply/Product voltage - min (V)	220.0
Lamp power factor	0.96
Electrical protection	Class II
Control gear required	No

# Concord

## Solstice 200 2100lm 940 DALI Sandblast 2070417

Control gear type	LED driver constant current
Drive current (mA)	450
Inrush Current (A)	25
Inrush Duration (µs)	141
Glow Wire Test (°C)	850
Energy Efficiency Class (A->G) of contained light source	C
Nominal Frequency (Hz)	50/60Hz
LED Flickering Rate	Ultra low (5% or less)
Max. products per 10A C Breaker	31
Max. products per 13A C Breaker	40
Max. products per 16A C Breaker	51
Max. products per 20A B Breaker	40
Connectable conductor cross section - Min (mm <sup>2</sup> )	0.5
Connectable conductor cross section - Max (mm <sup>2</sup> )	2.5

### LIFETIME DATA

Lifespan L70 B50	120000
Lifespan L70 B20	120000
Lifespan L70 B10	120000
Lifespan L80 B50	120000
Lifespan L80 B20	120000
Lifespan L80 B10	120000
Lifespan L90 B50	77000
Lifespan L90 B20	70000
Lifespan L90 B10	68000

### PHYSICAL DATA

Housing colour	RAL 9016 - Traffic white / Bezel
IP rating	IP40/20
IK rating	IK02
Diffuser finish	Diffuse

# Concord

## Solstice 200 2100lm 940 DALI Sandblast 2070417

Diffuser material	PC Polycarbonate
Nominal Product Diameter (mm)	215
Built-in diameter (mm)	200
Max. Lamp Diameter (mm) - D	215
Weight (kg)	0.95
Recessed Depth (mm)	150

### PACKAGING

Product EAN number	5025768704170
Packaging single width (cm)	30.0
Packaging single depth (cm)	12.5
DUN14 (outer)	05025768704170
Packaging outer length / height (cm)	30.0

### SAFETY DATA

Optimal operating condition (°C)	-10-40
Special purpose lamp	No
Dry applications use only	No
Suitable for household illumination	No