

# Panel mounted receptacle

Part number: 1456



**MENNEKES**  
Elektrotechnik GmbH & Co. KG

Aloys-Mennekes-Straße 1  
57399 Kirchhundem  
GERMANY

[www.MENNEKES.org](http://www.MENNEKES.org)

# Product Description

- frame terminals
- X-CONTACT
- straight insertion direction
- rubberised bayonet ring

# Technical Details

Panel mounted receptacle	1456
Ampere	125A
Number of poles	4p
Clock position	9h
Nominal voltage AC	230V
Nominal frequency	50 - 60 Hz
Protection type IP	IP67
Contact carrier	standard
X-CONTACT	yes
Connection	frame terminals
Contact screw drive	allen key
Pilot contact	without pilot contact
Pilot contact switch	no
Flange dimensions	130 x 130 mm
Hole spacings	104 x 104 mm
Insertion direction	straight
Highly resistant to chemicals	no
Military version	no
Tightening torque connection terminal	10 Nm
Conductor cross-section min.	25 mm <sup>2</sup>
Conductor cross-section max.	70 mm <sup>2</sup>
Weight (net)	1135 g
Packaging unit	5 pcs
Quantity per pallet	240 pcs
EAN / identification number	4015394011088

Permissible ambient conditions

	Min.	Max.
Permissible ambient temperature	-25 °C	40 °C
Average temperature over 24 hours		35 °C

Material properties

Front part	PC blue [similar RAL 5007]
Flange	PC light grey [similar RAL 7035]
Hinged lid	PBT/PC blue [similar RAL 5007]
	TPE black [similar RAL 9005]
	PBT/PC squirrel grey [similar RAL 7000]
	TPE anthracite [similar RAL 7016]

Material resistance

The material resistance overview can be found on the website in the section “Knowledge” - “Product knowledge” - “Materials”.

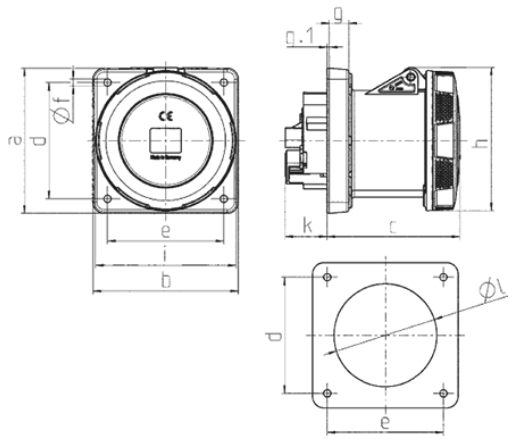
Material and environmental properties

RoHS 2011/65/EU incl. 2015/863/EU	✓
POP regulation (EU) 2019/1021	✓
Halogen-free	no

Regulations and Standards

Norm	DIN EN IEC 60309-2
Declaration of Conformity	CE
Test label	EAC, CQC

# Dimensional Drawing



Drawing 1 MB 258 Dim. in mm	Amp. Poles	125	
		4	5
a		130	130
b		130	130
c		119	119
d		104	104
e		104	104
f		6.5	6.5
g.		18	18
g.1		2	2
h		129	129
i		126	126
k		43	43
l		98	98
Terminal for cond. cross section (mm <sup>2</sup> ) min.-max.		25 25	—70 —70