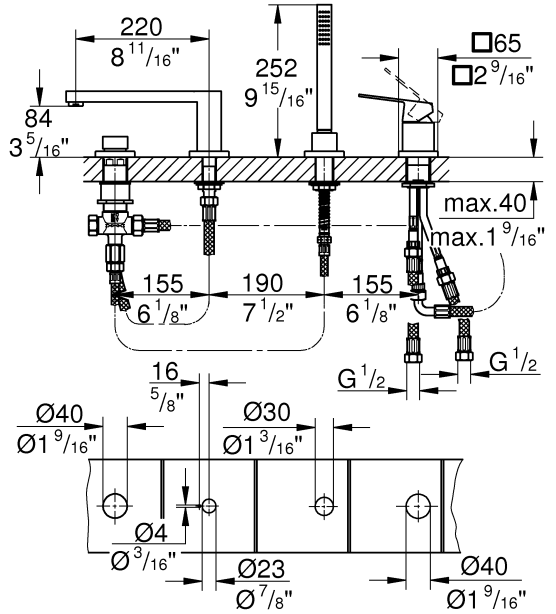
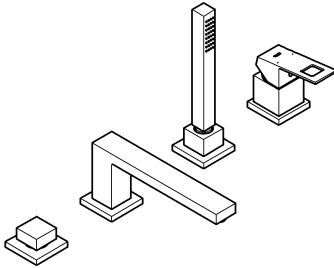
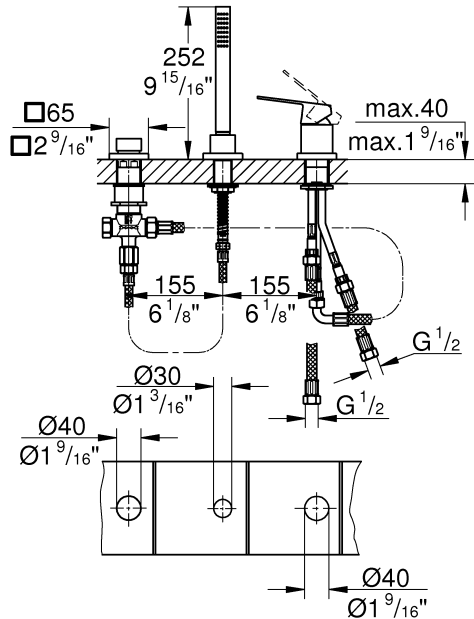
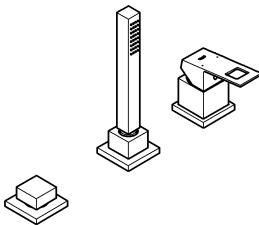
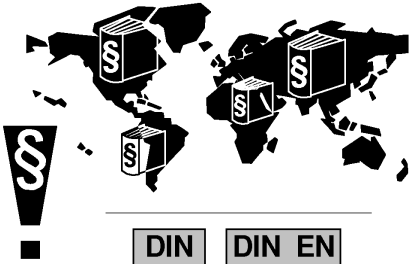


19 897



19 966





DIN
1988

DIN EN
806

bar

max. 10 thumbs up 5 thumbs down
0,5 1

psi

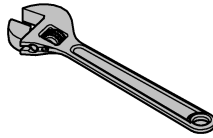
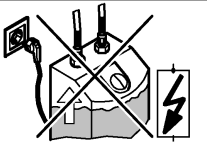
max. 145 thumbs up 72.5 thumbs down
7.25 14.5

°C

max. 70° thumbs up thumbs down 60°

°F

max. 158° thumbs up thumbs down 140°

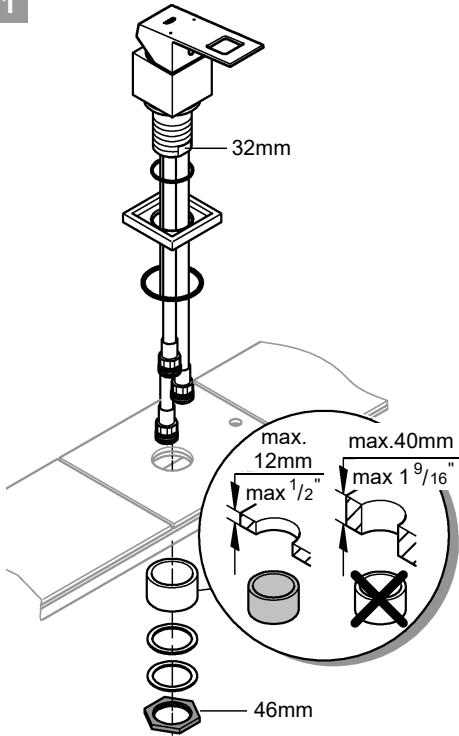


32mm

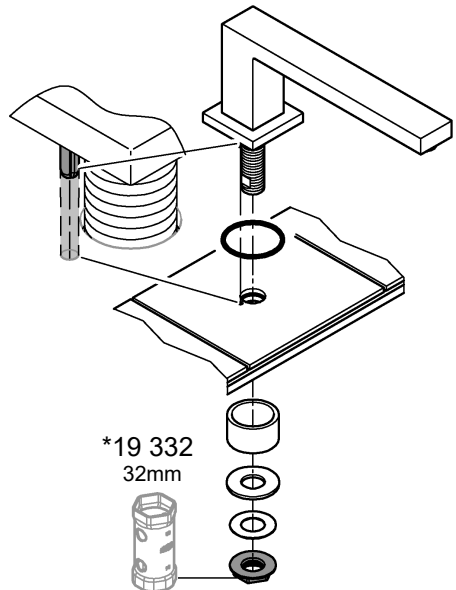
*19 332



1

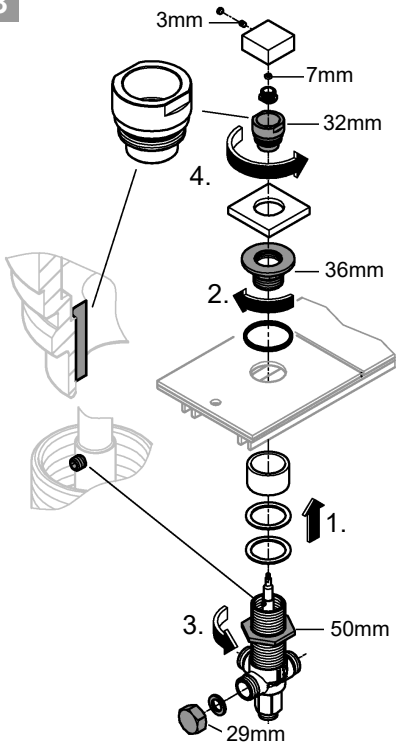


2

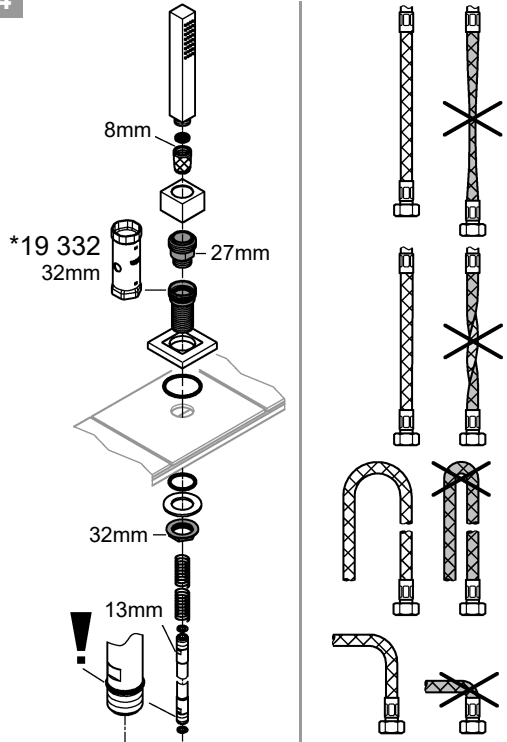




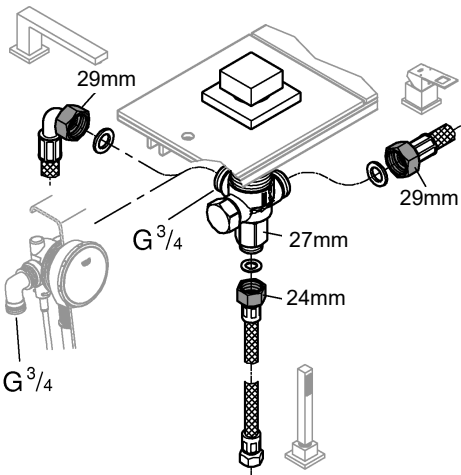
3



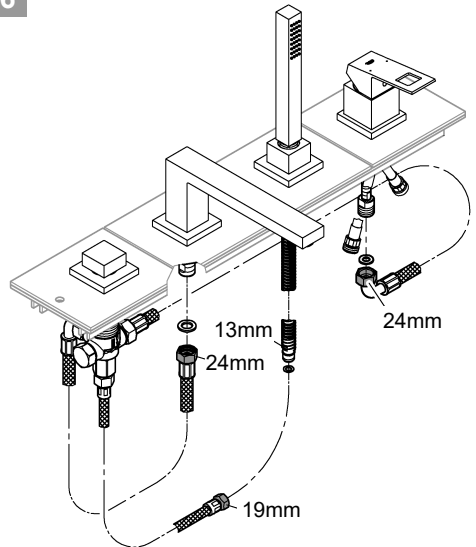
4



5

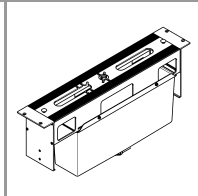


6

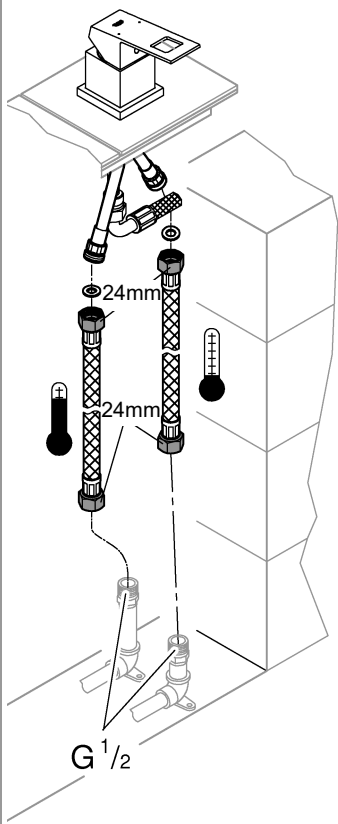
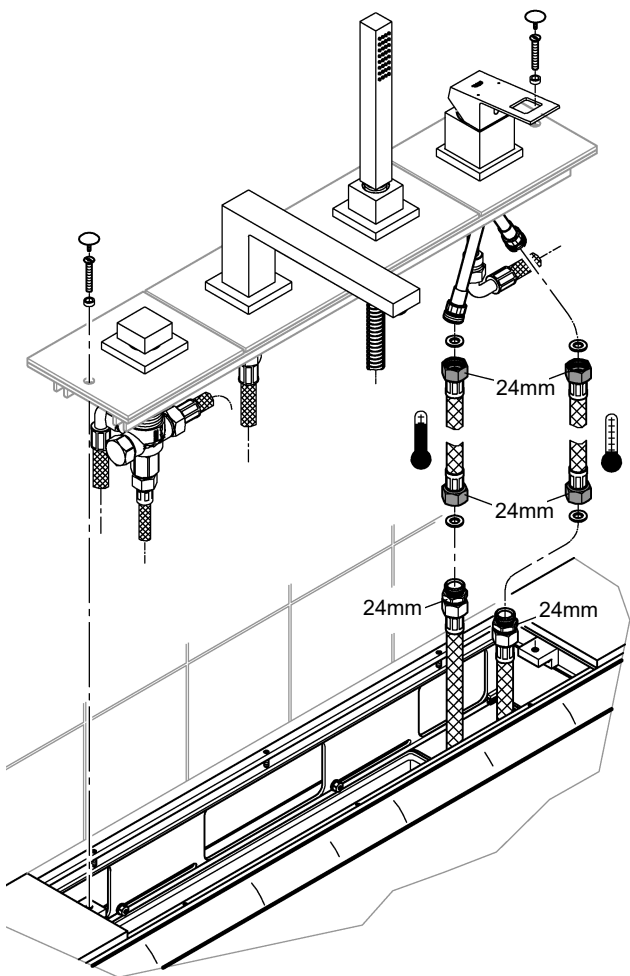
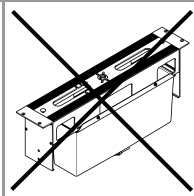


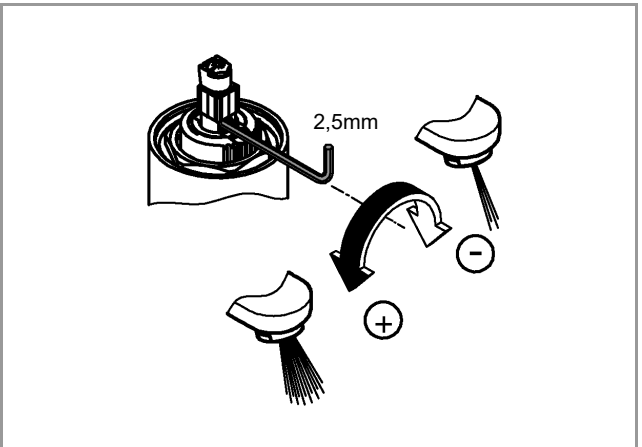
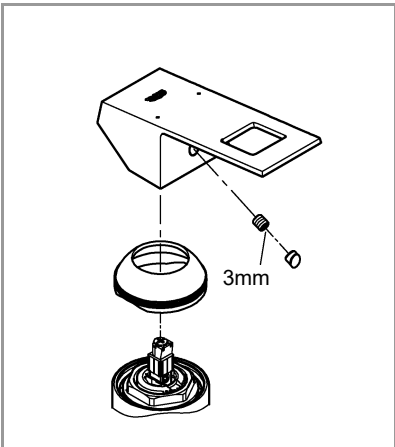
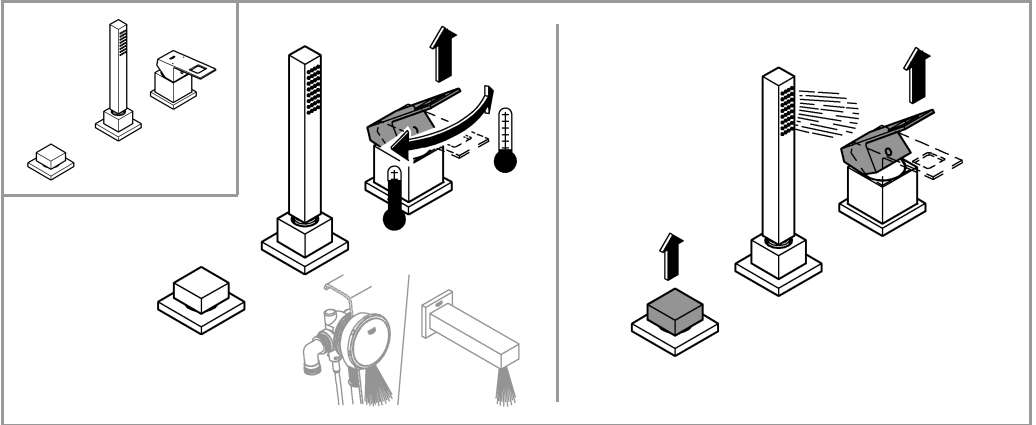
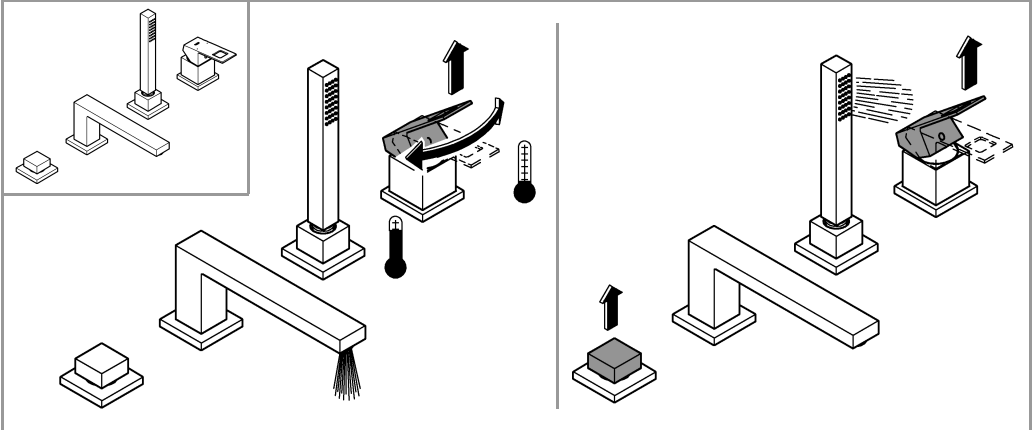


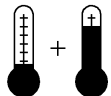
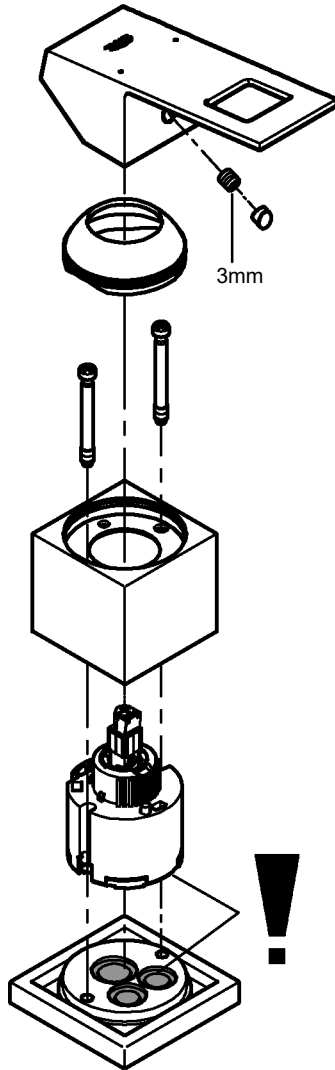
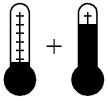
7a

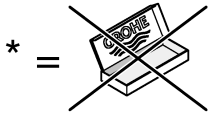


7b









*46 375 	
*19 332 	32mm

