



eVALVE Conversion kit for normal flow with controller Surface-mounted 85 x 41 x 167 mm - SPARE PARTS

90 30 50 088 01 90





eVALVE Conversion kit for normal flow with controller Surface-mounted 85 x 41 x 167 mm - SPARE PARTS

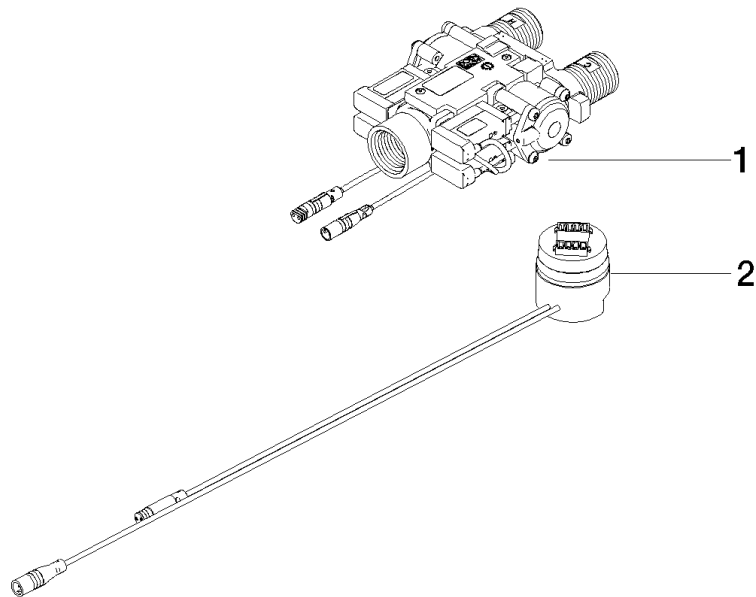
90 30 50 088 01 90



eVALVE Conversion kit for normal flow with controller Surface-mounted 85 x 41 x 167 mm - SPARE PARTS

90 30 50 088 01 90

90 30 50 088 01 90



Spare parts list

No.	Item Number	Name	Quantity used	Delivery time
2	90 10 01 100 11 90	eValve Controller moulded Ø 35 x 40 mm -	1.00	14
1	90 30 50 088 00 90	eVALVE Valve for normal flow Surface-mounted 85 x 41 x 167 mm -	1.00	14