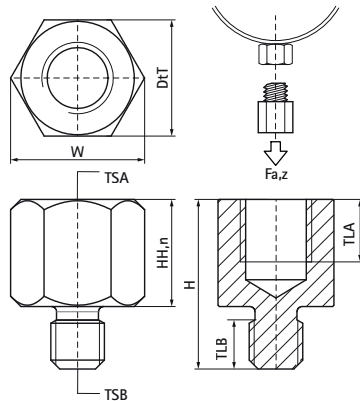


## Walraven Stainless Steel Thread Adaptor

(M9015)

adjustment of thread connection



### Features & benefits

- only tension loads recommended
- to enlarge or reduce the thread size in the connection of clamps, etc.
- material: stainless steel A4 (1.4401/ AISI 316)

| Product Number   | Thread Size A | Thread Length A | Thread Size B | Thread Length B | Nominal Head Height | Width Across Flats | Total Height | Total Width | Total Depth | Maximum Allowed Load Faz |
|------------------|---------------|-----------------|---------------|-----------------|---------------------|--------------------|--------------|-------------|-------------|--------------------------|
| Reference letter | TSA           | TLA             | TSB           | TLB             | HH,n                | WAF                | H            | W           | DcT         | Fa,z                     |
| Unit description | mm            |                 | mm            |                 | mm                  | mm                 | mm           | mm          | mm          | N                        |
| 6477210          | M10           | 9               | M8            | 6               | 15                  | 13                 | 23           | 15          | 13          | 6,500                    |
| 6477308          | M8            | 7               | M10           | 6               | 13                  | 13                 | 21           | 15          | 13          | 6,500                    |
| 6477512          | M12           | 10              | M16           | 11              | 18                  | 19                 | 32           | 22          | 19          |                          |