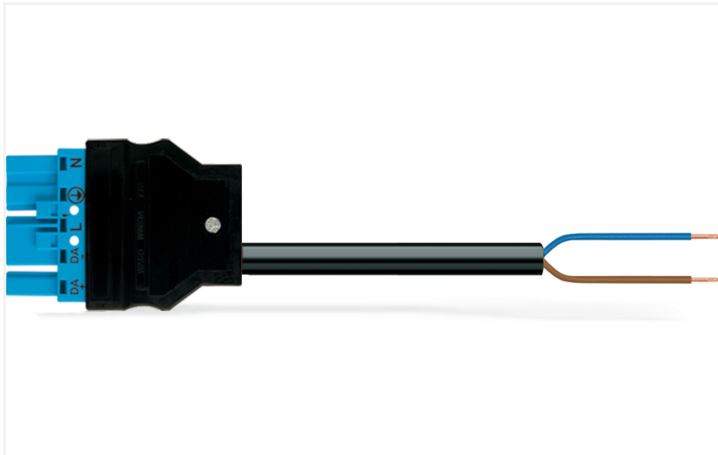


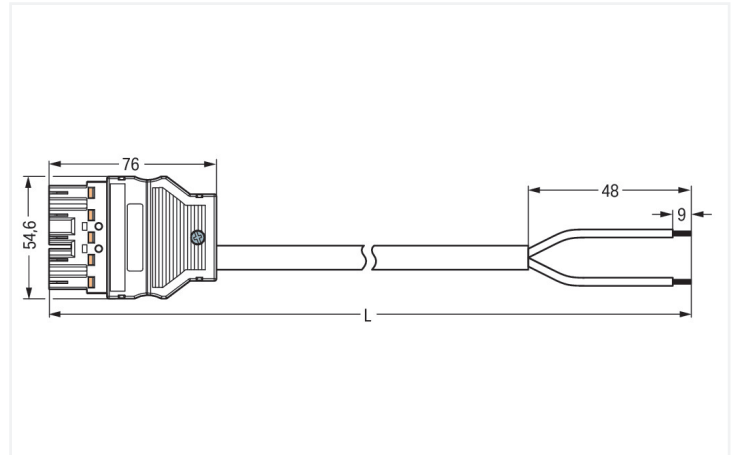
Data Sheet | Item Number: 771-5001/176-000

pre-assembled connecting cable; Eca; Plug/open-ended; 5-pole; Cod. I; H05Z1Z1-F
2 x 1,50 mm²; 5 m; 1,50 mm²; blue

<https://www.wago.com/771-5001/176-000>



Color: ■ blue



Dimensions in mm

Cable assembly WINSTA® MIDI rated current 16 A

The WINSTA® MIDI cable assembly with protection type IP20 supports fast, reliable installation. Our pluggable installation connectors with spring pressure connection technology function completely without screw connections. They allow resource-efficient, error-free installation in numerous applications. For greater security in electrical installations, the pluggable installation connector is equipped with mechanical protection against mismatching. The pluggable installation connector is protected against ingress by solid objects in accordance with protection type IP20 (When mated: IP2xC (These compact connectors are not designed for use in open, easily accessible areas!)). Coding in blue is used to label WINSTA® MIDI pluggable installation connectors, which are used predominantly in building automation for controlling lighting. The WINSTA® MIDI Pluggable Connection System with Push-in CAGE CLAMP® spring pressure connection technology facilitates exemplary electrification. Thanks to the integrated test slot, connections can be checked even when they are plugged in. That saves time and reduces installation labor and costs. Of course, the safety of buildings must always be ensured, even after the electrical installation has been performed. The mandatory safety requirements in connection with EU CPR are fully satisfied by this product through fire class E. The cable assembly is halogen-free. This eliminates the addition of environmental pollutants during production. It also achieves a higher fire class, since halogen-free materials do not easily ignite.

Fast, secure pluggable connections – cable assemblies from WAGO

The cable assembly is provided with a plug and a free end. The WINSTA® Pluggable Connection System is perfectly tailored to the very strict requirements of building installation. It makes electrical installation pluggable, and consequently more efficient, even more reliable, and error-free. Using this pre-assembled system decreases time spent on assembly and errors during installation at the construction site. Now you can also reduce installation costs without compromising safety and quality: with strain relief hosting eliminates the need for servicing and prevents unnecessary downtime.

- effective protection against mismatching
- pre-assembled versions
- for intelligent, easy lighting installation
- exact dimensions
- quick replacement of defective units during ongoing operation

Notes

Note Cables with a different fire class can be found in the eShop.

Electrical data

| Ratings per | IEC/EN 60664-1 | | | General information | |
|---------------------------------|----------------|-----|----|----------------------------|--|
| Overvoltage category | III | III | II | Note on contact resistance | approx. 1 mΩ of contact resistance approx. 0.25 mΩ contact transition plug/ socket |
| Pollution degree | 3 | 2 | 2 | | |
| Nominal voltage | 250 V | - | - | | |
| Rated impulse withstand voltage | 4 kV | - | - | | |
| Rated current | 16 A | - | - | | |

Connection Data

| | | | |
|----------------------------|---------------------------|---------------------------------|---------------------|
| Total number of potentials | 2 | Connection 1 | |
| Conductor preparation | ultrasonically tip-bonded | Strip length | 9 mm / 0.35 inches |
| | | Pole number | 5 |
| | | Wire cross-section | 1.5 mm ² |
| | | Strip length (outer insulation) | 48 mm |
| | | Connection type | Plug - free end |

Physical data

| | |
|--------------|-----------------------|
| Pin spacing | 10 mm / 0.394 inches |
| Width | 54.6 mm / 2.15 inches |
| Height | 17 mm / 0.669 inches |
| Total length | 5 m |

Mechanical data

| | |
|---|---|
| Use | DALI, Lighting Management |
| Coding | I |
| Variable coding | No |
| Marking | N ⊕ L DA- DA+ |
| Mating force of a plug-in connection | approx. 20 ... 70 N (depending on pole number) |
| Retention force of a plug-in connection | when locked: > 80N |
| Unmating force of a plug-in connection | when unlocked: approx. 20 ... 70 N (depending on pole number) |
| Number of mating cycles | 200, without resistive load |
| Connection type | Plug - free end |
| Type of pre-assembled cable | Connecting cable |
| Cable type | H05Z1Z1-F 2x1.5 |
| Protection type | IP20; When mated: IP2xC (These compact connectors are not designed for use in open, easily accessible areas!) |

Plug-in connection

| | |
|-------------------------------|--|
| Mismating protection | Yes |
| Note on mismating protection | All WINSTA® components are 100% protected against mismating when: a.) plugging different numbers of poles b.) plugging while rotated 180 c.) plugging while laterally staggered d.) plugging one pole |
| Locking lever | Can be retrofitted |
| Locking of plug-in connection | Locking lever |
| Note on locking system | All connectors for mounted installations (snap-in versions for lighting fixtures or devices, all types of PCB and distribution connectors) are factory-equipped with locking levers to ensure plugs and sockets are securely locked. Additional locking levers are only required for flying leads (plug/socket). |

Material data

| | |
|------------------------------------|--|
| Note (material data) | Information on material specifications can be found here |
| Color | blue |
| Insulation material (main housing) | Polyamide (PA66) |
| Flammability class per UL94 | V0 |
| Fire class per EN 50575 | E _{ca} |
| Contact material | Copper or copper alloy; surface-treated |
| Contact Plating | Tin |
| Fire load | 150.098 MJ |
| Connector color | blue |
| Strain relief color | black |
| Sheathed cable color | black |
| Printing color of sheathed cable | white |
| Halogen-free | Yes |
| Silicon-free | Yes |
| Sheath material | Halogen-free |
| Rubber cable | No |
| Weight | 419.5 g |
| Copper weight of the raw cable | 0.029 kg/m |

Environmental requirements

| | |
|--|---|
| Processing temperature | -5 ... +40 °C |
| Continuous operating temperature | -35 ... +85 °C |
| Note on continuous operating temperature | Cable for temperatures ≤ 70 °C (including halogen-free) Insulating parts for temperatures ≤ 105 °C |

Commercial data

| | |
|-----------------------|---------------|
| PU (SPU) | 1 pcs |
| Packaging type | unpacked |
| Country of origin | DE |
| GTIN | 4055143261449 |
| Customs tariff number | 85444290900 |

Product Classification

| | |
|-------------|----------------------|
| UNSPSC | 26121629 |
| eCl@ss 10.0 | 27-44-06-04 |
| eCl@ss 9.0 | 27-44-06-04 |
| ETIM 9.0 | EC002587 |
| ETIM 10.0 | EC002587 |
| ECCN | NO US CLASSIFICATION |

Environmental Product Compliance

| | |
|------------------------|-------------------------|
| RoHS Compliance Status | Compliant, No Exemption |
|------------------------|-------------------------|

Downloads

Environmental Product Compliance

Compliance Search

| | |
|--|--|
| Environmental Product Compliance 771-5001/176-000 | |
|--|--|

Documentation

Bid Text

| | | | |
|------------------|------------|-----------------|--|
| 771-5001/176-000 | 19.02.2019 | xml 3.10 KB | |
| 771-5001/176-000 | 09.02.2015 | doc 25.50 KB | |

1 Compatible Products

1.1 Required Accessories

1.1.1 Locking system

1.1.1.1 Locking system

| | | | |
|--|--|--|--|
| | | | |
| Item No.: 770-101 Locking lever; for flying leads; for manual operation; black | Item No.: 770-121 Locking lever; for flying leads; for manual operation; white | Item No.: 770-111 Locking lever; for flying leads; for tool operation; black | Item No.: 770-131 Locking lever; for flying leads; for tool operation; white |

1.2 Optional Accessories

1.2.1 Cover

1.2.1.1 Cover



Item No.: 770-360

Lockout cap; for plugs; 5-pole; separable; yellow

1.2.2 Installation

1.2.2.1 Mounting accessories



Item No.: 770-310

Mounting carrier; 2- to 5-pole; for flying leads; black

1.2.3 Marking

1.2.3.1 Marker



Item No.: 770-450/000-006

Marker card; Plastic; blue



Item No.: 770-450/000-001

Marker card; Plastic; green



Item No.: 770-450/000-012

Marker card; Plastic; orange



Item No.: 770-450/000-005

Marker card; Plastic; red



Item No.: 770-450

Marker card; Plastic; white



Item No.: 770-450/000-002

Marker card; Plastic; yellow

1.2.3.2 Marking strip



Item No.: 210-334

Marking strips; as a DIN A4 sheet; Strip width 5 mm; Strip length 182 mm; plain; Self-adhesive; white



Item No.: 210-333

Marking strips; as a DIN A4 sheet; Strip width 6 mm; Strip length 182 mm; plain; Self-adhesive; white