

Panel mounted receptacle

Part number: 20148A



MENNEKES
Elektrotechnik GmbH & Co. KG

Aloys-Mennekes-Straße 1
57399 Kirchhundem
GERMANY

www.MENNEKES.org

Product Description

- nickel plated contacts, highly heat resistant contact carrier
- frame terminals
- X-CONTACT
- 20° inclination
- rubberised bayonet ring

Technical Details

Panel mounted receptacle	20148A
Ampere	63A
Number of poles	5p
Clock position	6h
Nominal voltage AC	400V
Nominal frequency	50 - 60 Hz
Protection type IP	IP67
Contact carrier	nickel plated contacts, highly heat resistant contact carrier
X-CONTACT	yes
Connection	frame terminals
Contact screw drive	PZ2, slot
Pilot contact	without pilot contact
Pilot contact switch	no
Flange dimensions	110 x 106 mm
Hole spacings	85 x 77 mm
Insertion direction	angled
Inclination	20°
Highly resistant to chemicals	no
Military version	no
Tightening torque connection terminal	2 Nm
Conductor cross-section min.	6 mm ²
Conductor cross-section max.	25 mm ²
Weight (net)	727 g
Packaging unit	5 pcs
Quantity per pallet	330 pcs

Panel mounted receptacle	20148A
EAN / identification number	4015394038221

Permissible ambient conditions		
	Min.	Max.
Permissible ambient temperature	-25 °C	40 °C
Average temperature over 24 hours		35 °C

Material properties	
Housing	PC light grey [similar RAL 7035]
Hinged lid	PBT/PC red [similar RAL 3013]
	TPE black [similar RAL 9005]
	PBT/PC squirrel grey [similar RAL 7000]
	TPE anthracite [similar RAL 7016]

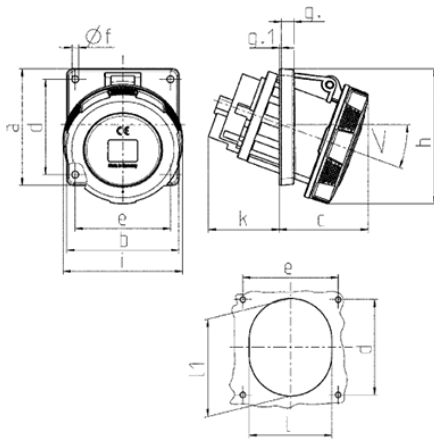
Material resistance

The material resistance overview can be found on the website in the section “Knowledge” - “Product knowledge” - “Materials”.

Material and environmental properties	
RoHS 2011/65/EU incl. 2015/863/EU	✓
POP regulation (EU) 2019/1021	✓
Halogen-free	no

Regulations and Standards	
Norm	DIN EN IEC 60309-2
Declaration of Conformity	CE
Test label	CB Zertifikat, VDE, EAC

Dimensional Drawing



Drawing	Amp.	16	32	63		125
1 MB 580/601	Poles	5	5	4	5	5
Dim. in mm	a	110	110	110	110	114
	b	106	106	106	106	110
	c	55	59	84	84	75
	d	90	90	90	90	90
	e	90	90	90	90	90
	f	5.2	5.2	6.5	6.5	6.2
	g	8	8	12	12	13
	g.1	2	2	2	2	2
	h	110	115	128	128	133
	i	89	106	113	113	126
	k	28	46	64	67	103
	l	78	87	92	92	94
	l1	—	—	98	98	107
	α	15°	15°	20°	15°	15°
Terminal for cond. cross section (mm ²) min.-max.		1.5	2.5	6	6	25
		—4	—10	—20	—20	—70