

Panel mounted receptacle

Part number: 858



MENNEKES
Elektrotechnik GmbH & Co. KG

Aloys-Mennekes-Straße 1
57399 Kirchhundem
GERMANY

www.MENNEKES.org

Product Description

- screw connection technology
- 20° inclination

Technical Details

| Panel mounted receptacle | 858 |
|---|-----------------------|
| Ampere | 16A |
| Number of poles | 3p |
| Clock position | 4h |
| Nominal voltage AC | 110V |
| Nominal frequency | 50 - 60 Hz |
| Protection type IP | IP44 |
| Contact carrier | standard |
| X-CONTACT | no |
| Connection | screw terminals |
| Contact screw drive | PZ2, slot |
| Pilot contact | without pilot contact |
| Pilot contact switch | no |
| Flange dimensions | 68 x 62 mm |
| Hole spacings | 47 x 47 mm |
| Insertion direction | angled |
| Inclination | 20° |
| Highly resistant to chemicals | no |
| Military version | no |
| Tightening torque connection terminal for cable cross-section 1,0 - 1,5 mm ² | 0.6 Nm |
| Tightening torque connection terminal for cable cross-section 2,5 - 4,0 mm ² | 0.8 Nm |
| Tightening torque connection terminal for cable cross-section 6 - 10 mm ² | 1.2 Nm |
| Strip length PH + N flexible conductor | 8 - 10 mm |
| Strip length PE flexible conductor | 12 - 17 mm |
| Strip length PH + N solid conductor | 8 - 10 mm |

| | |
|---------------------------------|---------------------|
| Panel mounted receptacle | 858 |
| Strip length PE solid conductor | 12 - 17 mm |
| Conductor cross-section min. | 1.5 mm ² |
| Conductor cross-section max. | 4 mm ² |
| Weight (net) | 122 g |
| Packaging unit | 10 pcs |
| Quantity per pallet | 1520 pcs |
| EAN / identification number | 4015394191087 |

| Permissible ambient conditions | | |
|---------------------------------------|--------|-------|
| | Min. | Max. |
| Permissible ambient temperature | -25 °C | 40 °C |
| Average temperature over 24 hours | | 35 °C |

| Material properties | |
|----------------------------|-----------------------------------|
| Housing | PA6 light grey [similar RAL 7035] |
| Hinged lid | PC yellow [similar RAL 1021] |

Material resistance

The material resistance overview can be found on the website in the section “Knowledge” - “Product knowledge” - “Materials”.

| Material and environmental properties | |
|--|----|
| RoHS 2011/65/EU incl. 2015/863/EU | ✓ |
| POP regulation (EU) 2019/1021 | ✓ |
| Halogen-free | no |

Regulations and Standards

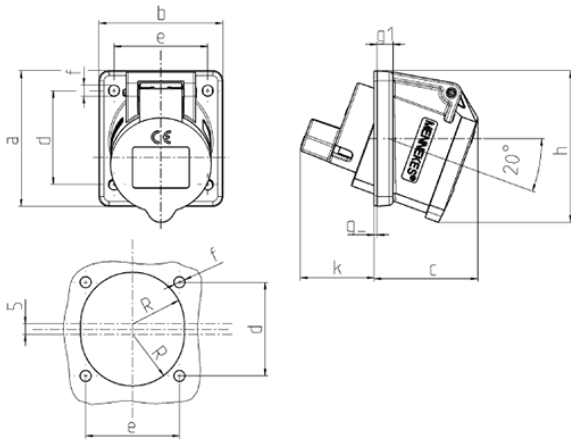
Norm

DIN EN IEC 60309-2

Declaration of Conformity

CE

Dimensional Drawing



| Drawing | Amp. | 16 |
|---|-------|--------|
| 1 MB 472 | Poles | 3 |
| Dim. in mm | a | 68 |
| | b | 62 |
| | c | 52 |
| | d | 47 |
| | e | 47 |
| | f | 5.5 |
| | g. | 8 |
| | g.1 | 1.5 |
| | h | 76 |
| | k | 37 |
| Terminal for cond. cross section (mm ²) min.-max. | | 1.5 —4 |