

Fuse base for 800 V a.c. IEC NH Fuse links



Product description

Eaton's Bussmann® series sizes 00 to 3 NH fuse bases are specifically designed for use with Eaton's Bussmann series NH 800 V a.c. fuse links ([data sheet TD134002EN](#))

Catalog symbol - 1-pole

- DIN-Rail and screw mounting: SD(fuse size)-D-800
- Screw mounting only: SD(fuse size)-S-800
- DIN-Rail and screw mounting without anti rotation terminal: SD(fuse size)-DA-800

Technical data

- Rated voltage: 800 V a.c. (IEC)
- Rated current: 2 to 315 A
- Rated for fuse links with breaking capacity of 80 kA
- Power acceptance
 - Size 00 800 V a.c.: 7.2 W
 - Size 1 800 V a.c.: 16.6 W
 - Size 2 800 V a.c.: 23.5 W
 - Size 3 800 V a.c.: TBD
- Mounting: 35 mm DIN-Rail or Panel
- Flammability rating: UL 94V0
- Protection level: IP20 with shroud kit installed and shielding of any exposed terminal lugs
- Operating temperature: IEC -20°C to 70°C
- Storage temperature: -40°C to 90°C
- Derating factors for maximum current

- Materials
 - Base: Glass filled PBT
 - Contacts: Silver plated copper
 - Hardware: Clear zinc-plated steel

Standards/Approvals

- IEC 60269-1

Packaging

- MOQ: 3

Ambient	Derating factor
35°C	1.00
40°C	0.95
50°C	0.85

Catalog numbers

Compatible NH Fuse link body size	Poles	Rated current (Amps)	DIN-Rail and screw mounting	Screw mounting only	DIN-Rail and screw mounting without anti-rotation terminal	Pack quantity	Compatible fuse links
00	1-pole	63	SD00-D-800	SD00-S-800	SD00-DA-800	3	800 V a.c. NH gG fuse links
1	1-pole	160	SD1-D-800	SD1-S-800	SD1-DA-800	3	
2	1-pole	250	SD2-D-800	SD2-S-800	SD2-DA-800	3	
3	1-pole	315	SD3-D-800	SD3-S-800	SD3-DA-800	3	

Accessories

Fuse extraction handle

NH fuse link body size	Rated current (Amps)	Catalog numbers	Pack quantity
NH00-3	160 - 630	FEH	1



Fuse extraction handle

Shroud kits

Fuse base range	NH fuse link body size	Rated current (Amps)	Catalog numbers	Description
SD00	NH00	160	SD00-SK	
SD1	NH1	250	SD12-SK	Kit includes 2 shrouds and 1 fuse cover
SD2	NH2	400	SD12-SK	
SD3	NH3	630	SD3-SK	



Shroud kit

Solid links Catalog numbers

NH fuse link body size	Rated current (Amps)	Catalog numbers	Pack quantity
NH00	160	SDL-00	3
NH1	250	SDL-1	3
NH2	400	SDL-2	3
NH3	630	SDL-3	3



Solid link

Phase barrier kit

NH fuse link body size	Rated current (Amps)	Catalog numbers	Pack quantity	Description
NH00	160	SD00-PB	1	2-Phase barriers
NH1	250	SD12-PB	1	2-Phase barriers and 2 ganging links
NH2	400	SD12-PB	1	
NH3	630	SD3-PB	1	



Phase barrier



Ganging link

Accessories

Microswitch

Catalog numbers	Pack quantity	Ratings
BVL50	1	5 A 250 V a.c.
170H0236	12	2 A 250 V a.c.
170H0238	12	2 A 250 V a.c.

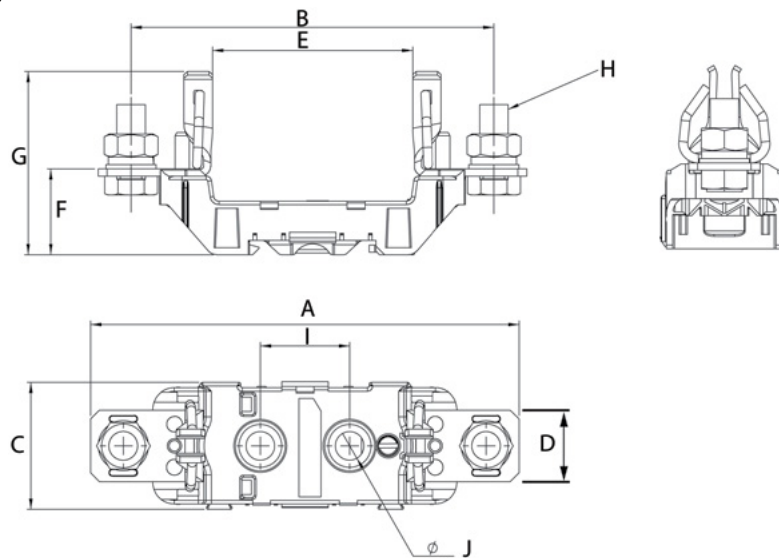


BVL50



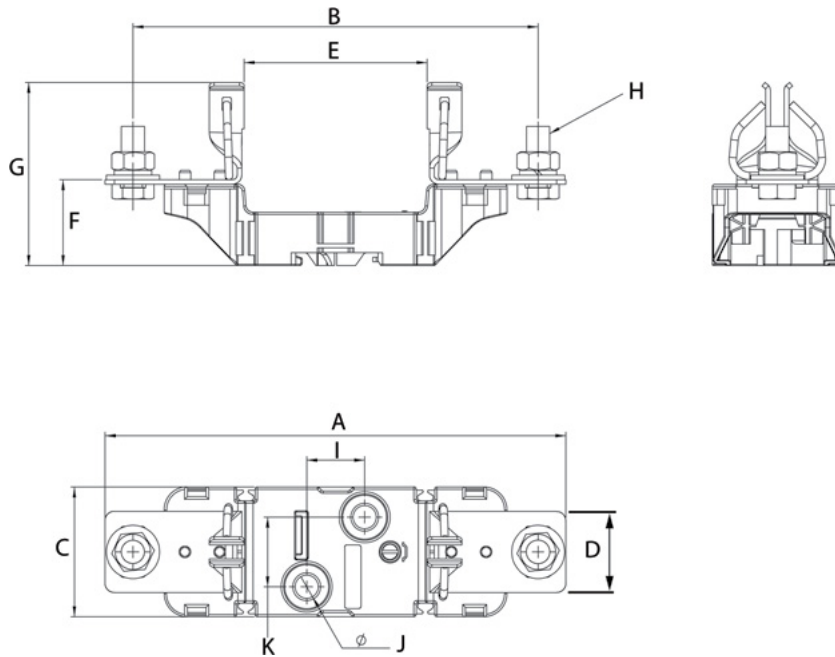
170H0236

Dimensions (mm) 1-pole, size 00



NH fuse link body size	Pole	A	B	C	D	E	F	G	H	I	J
NH00	1-pole	120	102	35.5	20	56	24	51	M8x20	25	8

Dimensions (mm) 1-pole, sizes 1, 2 and 3



Fuse body size	Poles/Type	A	B	C	D	E	F	G	H	I	J	K
NH1	1-pole	199	175	56	35	79	37	78	M10x25	25	10	30
NH2	1 pole	224	199	56	35	79	37.5	86	M10x25	25	10	30
NH3	1-pole	239	209	56	36	82	37.5	88	M12x30	25	10	30

The only controlled copy of this data sheet is the electronic read-only version located on the Eaton network drive. All other copies of this document are by definition uncontrolled. This bulletin is intended to clearly present comprehensive product data and provide technical information that will help the end user with design applications. Eaton reserves the right, without notice, to change design or construction of any products and to discontinue or limit distribution of any products. Eaton also reserves the right to change or update, without notice, any technical information contained in this bulletin. Once a product has been selected, it should be tested by the user in all possible applications.

Changes to the products, to the information contained in this document, and to prices are reserved; so are errors and omissions. Only order confirmations and technical documentation by Eaton is binding. Photos and pictures also do not warrant a specific layout or functionality. Their use in whatever form is subject to prior approval by Eaton. The same applies to Trademarks (especially Eaton, Moeller, and Cutler-Hammer). The Terms and Conditions of Eaton apply, as referenced on Eaton Internet pages and Eaton order confirmations.

Eaton
 EMEA Headquarters
 Route de la Longeraie 7
 1110 Morges, Switzerland

Electrical Sector
 Eaton Electrical Products Limited
 Unit 1, Hawker Business Park,
 Melton Road, Burton-on-the-Wolds
 LE12 5TH, UK
 Eaton.com

© 2025 Eaton
 All Rights Reserved
 PDF Only
 Publication No. TD134004EN
 December 2025