

Panel mounted receptacle

Part number: 3070



MENNEKES
Elektrotechnik GmbH & Co. KG

Aloys-Mennekes-Straße 1
57399 Kirchhundem
GERMANY

www.MENNEKES.org

Product Description

- screwless, with insulation displacement technology TwinCONTACT
- 20° inclination
- suitable for through wiring
- receptacle is designed for adding an auxiliary contact switch

Technical Details

Panel mounted receptacle	3070
Ampere	16A
Number of poles	5p
Clock position	6h
Nominal voltage AC	400V
Nominal frequency	50 - 60 Hz
Protection type IP	IP44
Contact carrier	standard
X-CONTACT	no
Connection	insulation displacement technology - TwinCONTACT
Pilot contact	without pilot contact
Pilot contact switch	no
Flange dimensions	85 x 85 mm
Hole spacings	70 x 70 mm
Insertion direction	angled
Inclination	20°
Highly resistant to chemicals	no
Military version	no
Strip length flexible conductor	12 mm
Strip length solid conductor	12 mm
Conductor cross-section min.	1.5 mm ²
Conductor cross-section max.	4 mm ²
Weight (net)	140 g
Packaging unit	10 pcs
Quantity per pallet	880 pcs

Panel mounted receptacle	3070
EAN / identification number	4015394221661

Permissible ambient conditions		
	Min.	Max.
Permissible ambient temperature	-25 °C	40 °C
Average temperature over 24 hours		35 °C

Material properties	
Housing	PA6 light grey [similar RAL 7035]
Hinged lid	PC red [similar RAL 3013]

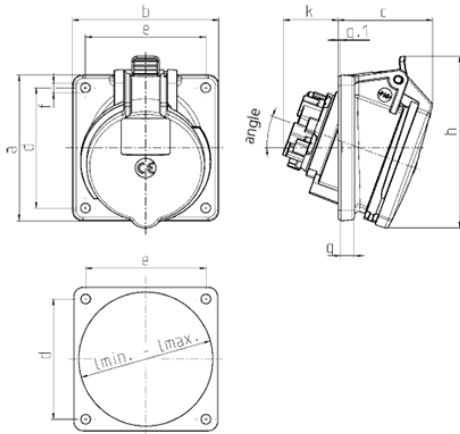
Material resistance

The material resistance overview can be found on the website in the section “Knowledge” - “Product knowledge” - “Materials”.

Material and environmental properties	
RoHS 2011/65/EU incl. 2015/863/EU	✓
POP regulation (EU) 2019/1021	✓
Halogen-free	yes

Regulations and Standards	
Norm	DIN EN IEC 60309-2
Declaration of Conformity	CE
Test label	CB Zertifikat, VDE, EAC

Dimensional Drawing



Drawing	Amp.	16			32		
		Poles			3	4	5
1 MB 519							
Dim. in mm	a	85	85	85	85	85	85
	b	85	85	85	85	85	85
	c	52	57	55	61	60	66
	d	70	70	70	70	70	70
	e	70	70	70	70	70	70
	f	5.5	5.5	5.5	5.5	5.5	5.5
	g	8	8	8	8	8	8
	g.1	2	2	2	2	2	2
	h	86	96	100	96	104	110
	k	31	32	33	43	44	48
	l min.	57	64	70	78	78	78
	l max.	76	76	76	78	78	78
	∅	20	20	20	20	20	20
	Terminal for cond. cross section (mm ²) min.-max.	1.5	1.5	1.5	2.5	2.5	2.5
		-4	-4	-4	-10	-10	-10